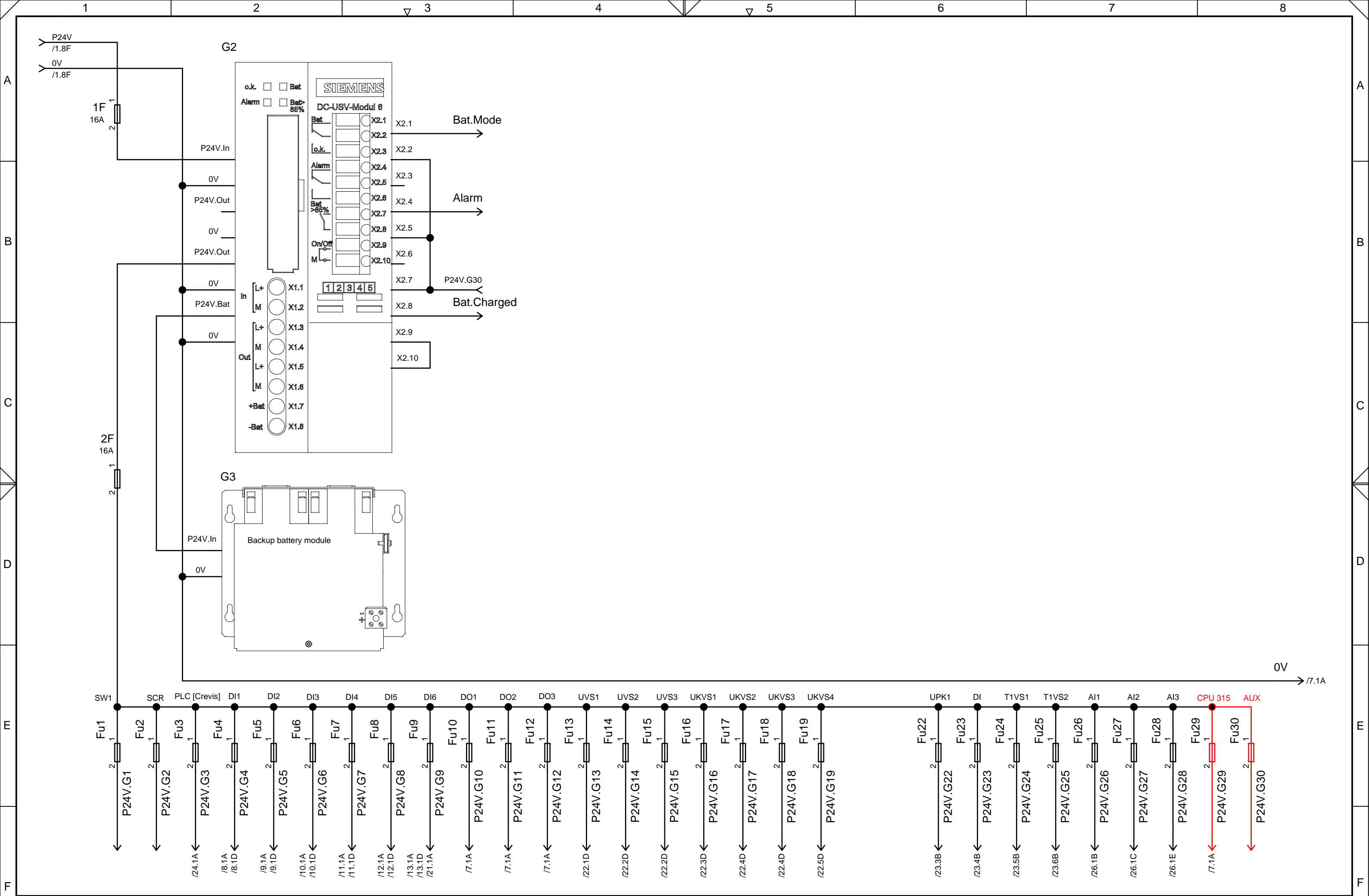
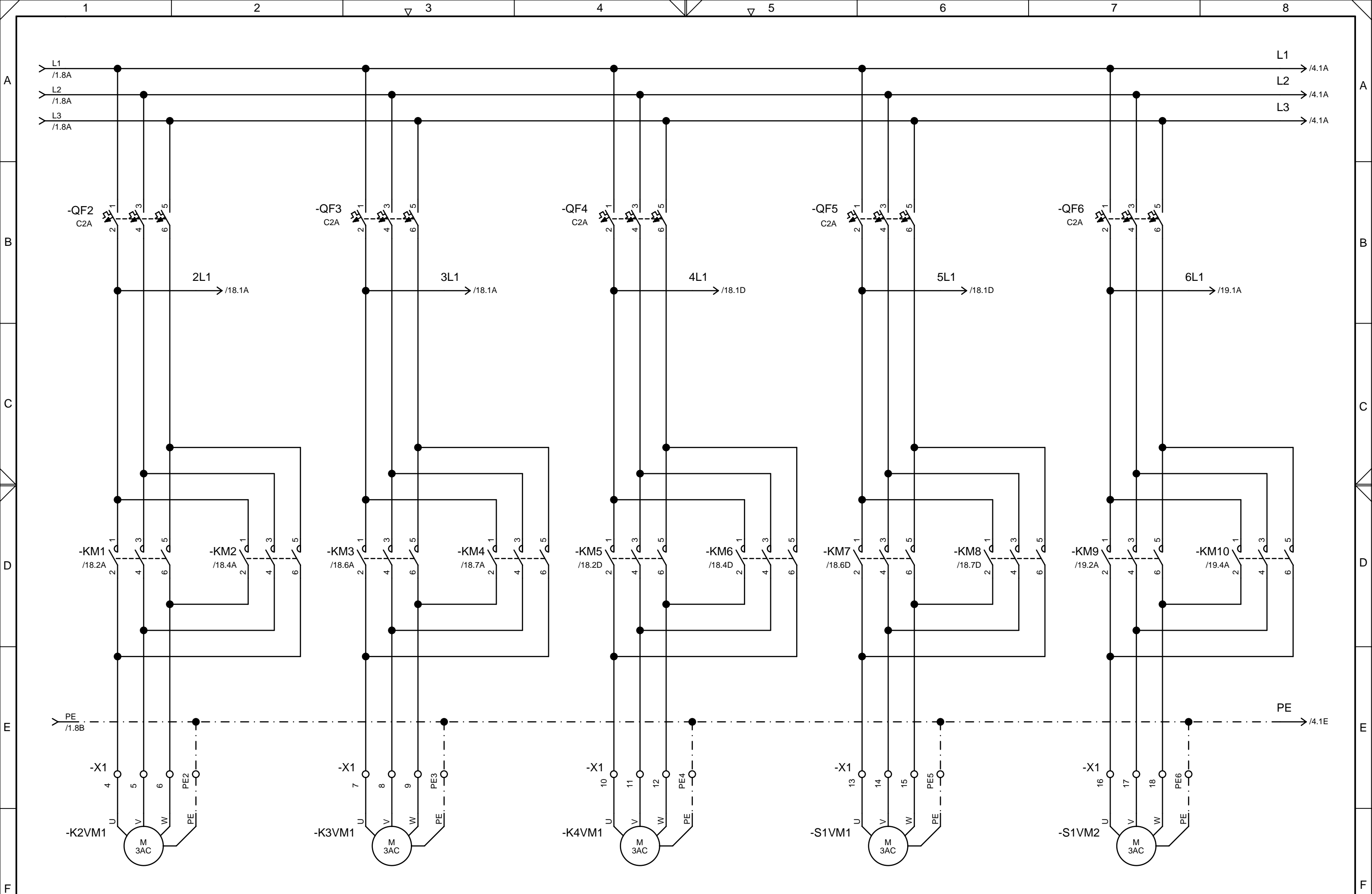


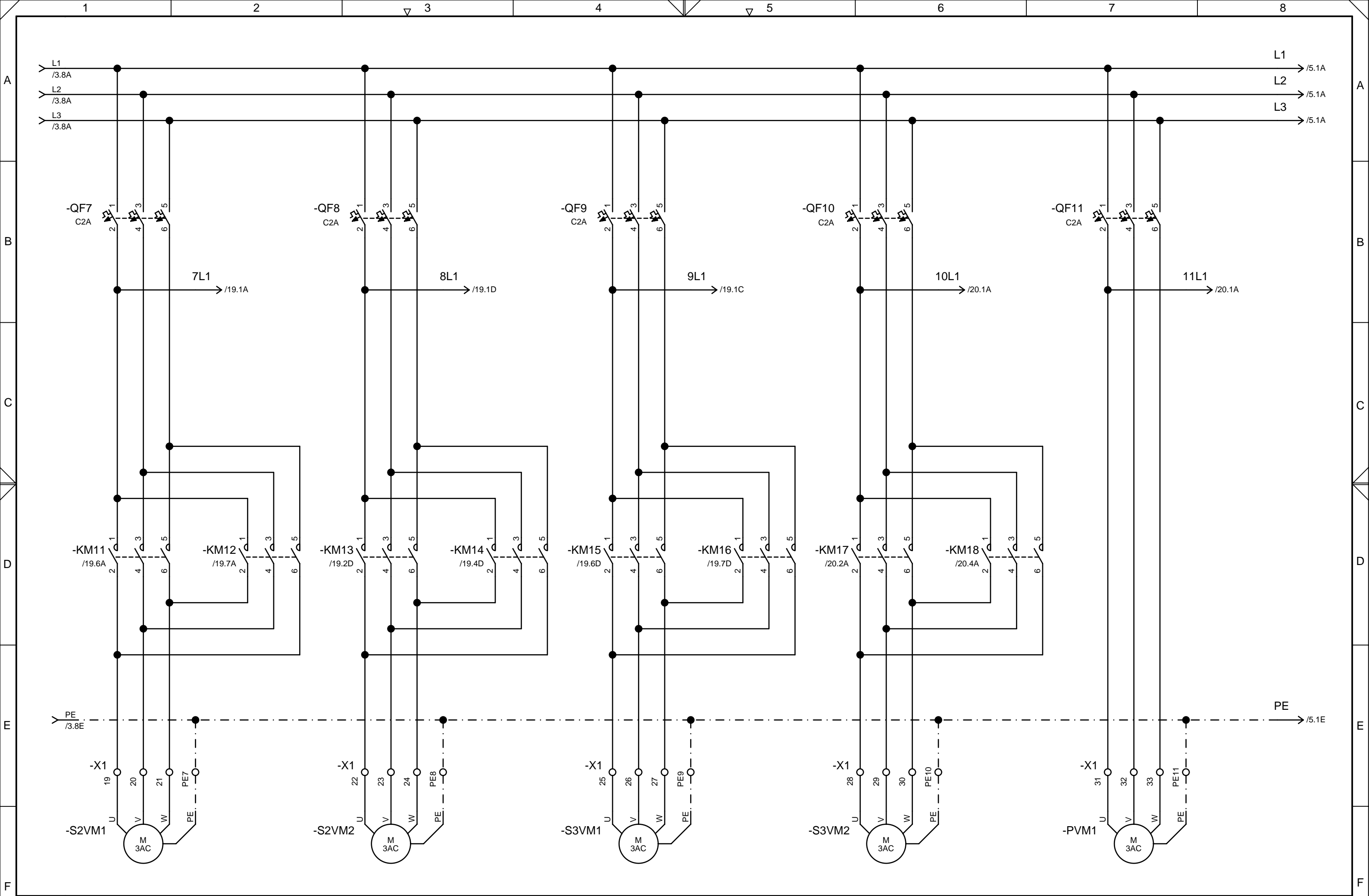
Date	2016.07.13.	Siltums 2017							
Drawn	S.Demants								
Checked	V.Chuvizovs								
Approved	V.Chuvizovs	Orig.	Replaces		Replaced by				
Rev.	Change	Date	Name						Sheet 1 of



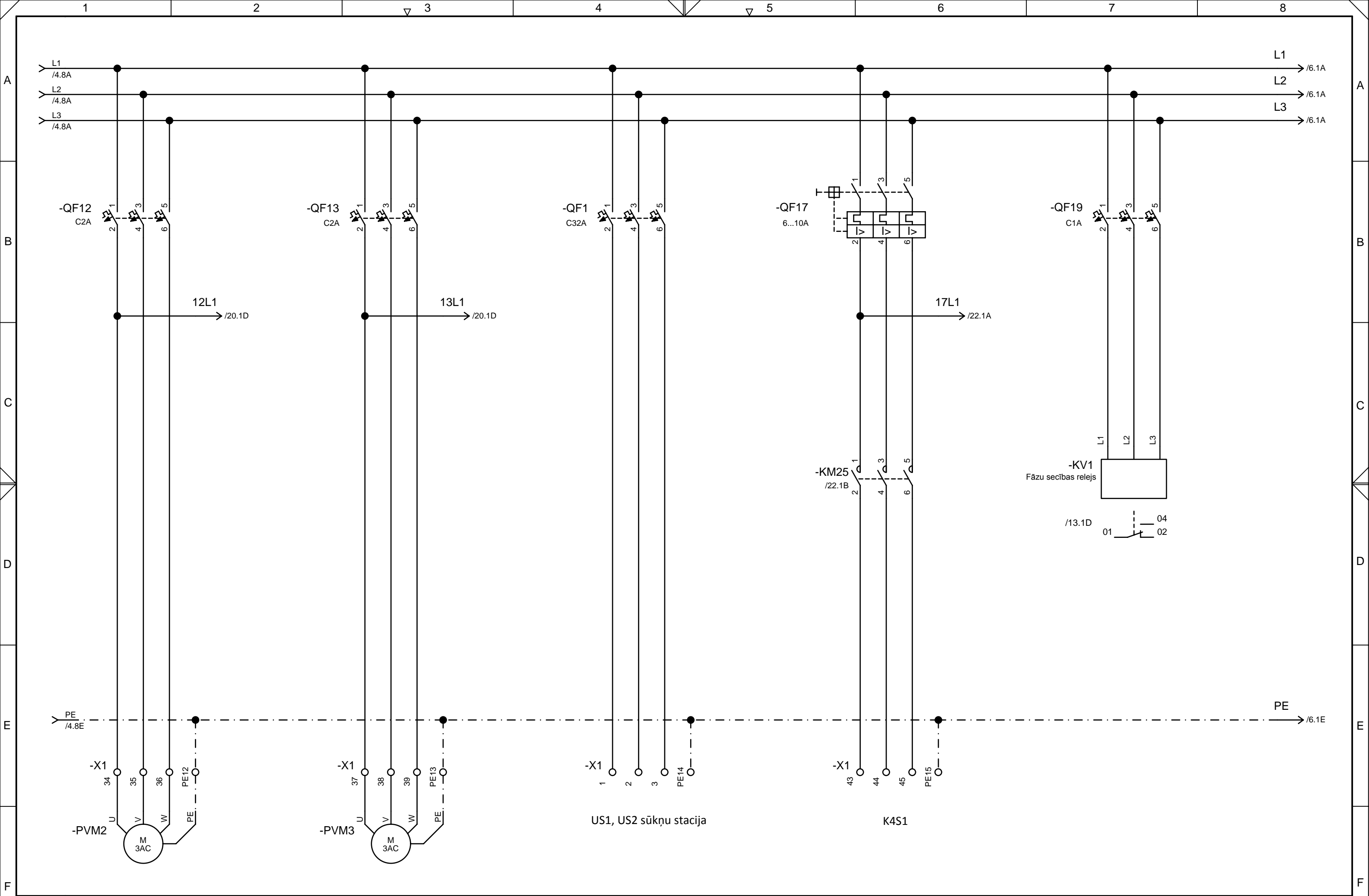
Rev.	Change	Date	Name	Approved	Orig.	Replaces	Replaced by	Sheet 2 of
					Situms 2017			



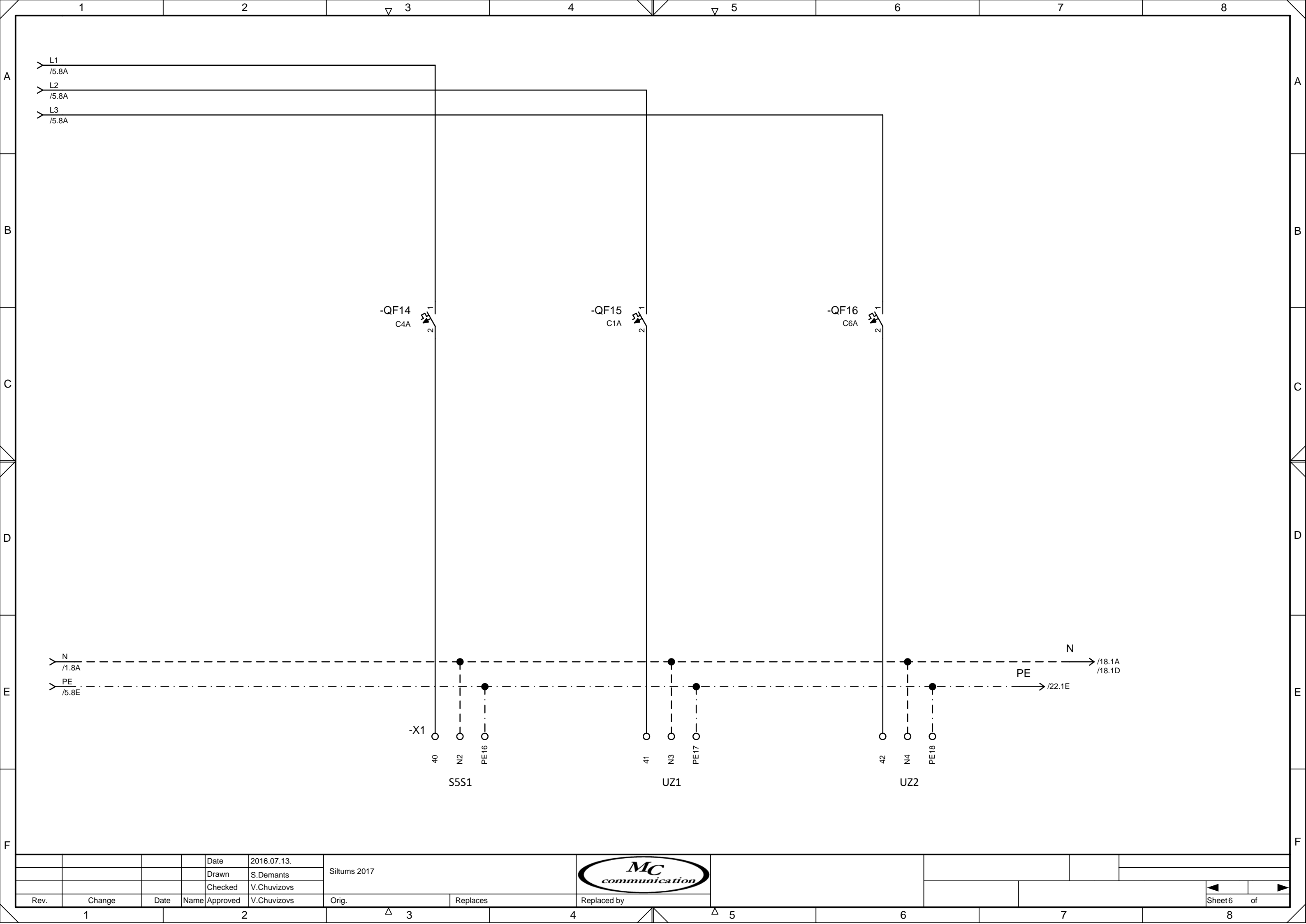
Date		2016.07.13.		Siltums 2017					
Drawn		S.Demants							
Checked		V.Chuvizovs							
Rev.	Change	Date	Name	Approved	V.Chuvizovs	Orig.	Replaces	Replaced by	Sheet 3 of



Date		2016.07.13.		Siltums 2017					
Drawn		S.Demants							
Checked		V.Chuvizovs		Orig.		Replaces		Replaced by	
Rev.	Change	Date	Name	Approved	V.Chuvizovs				

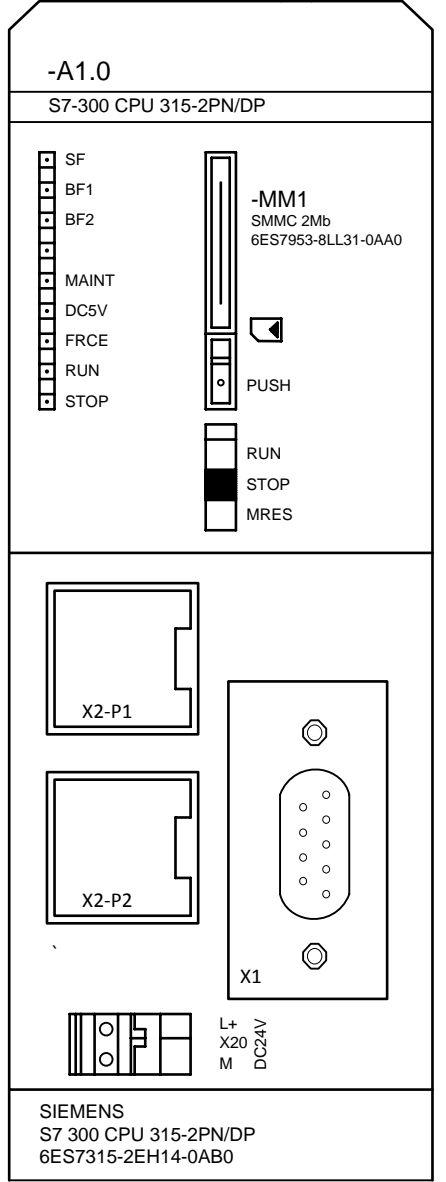
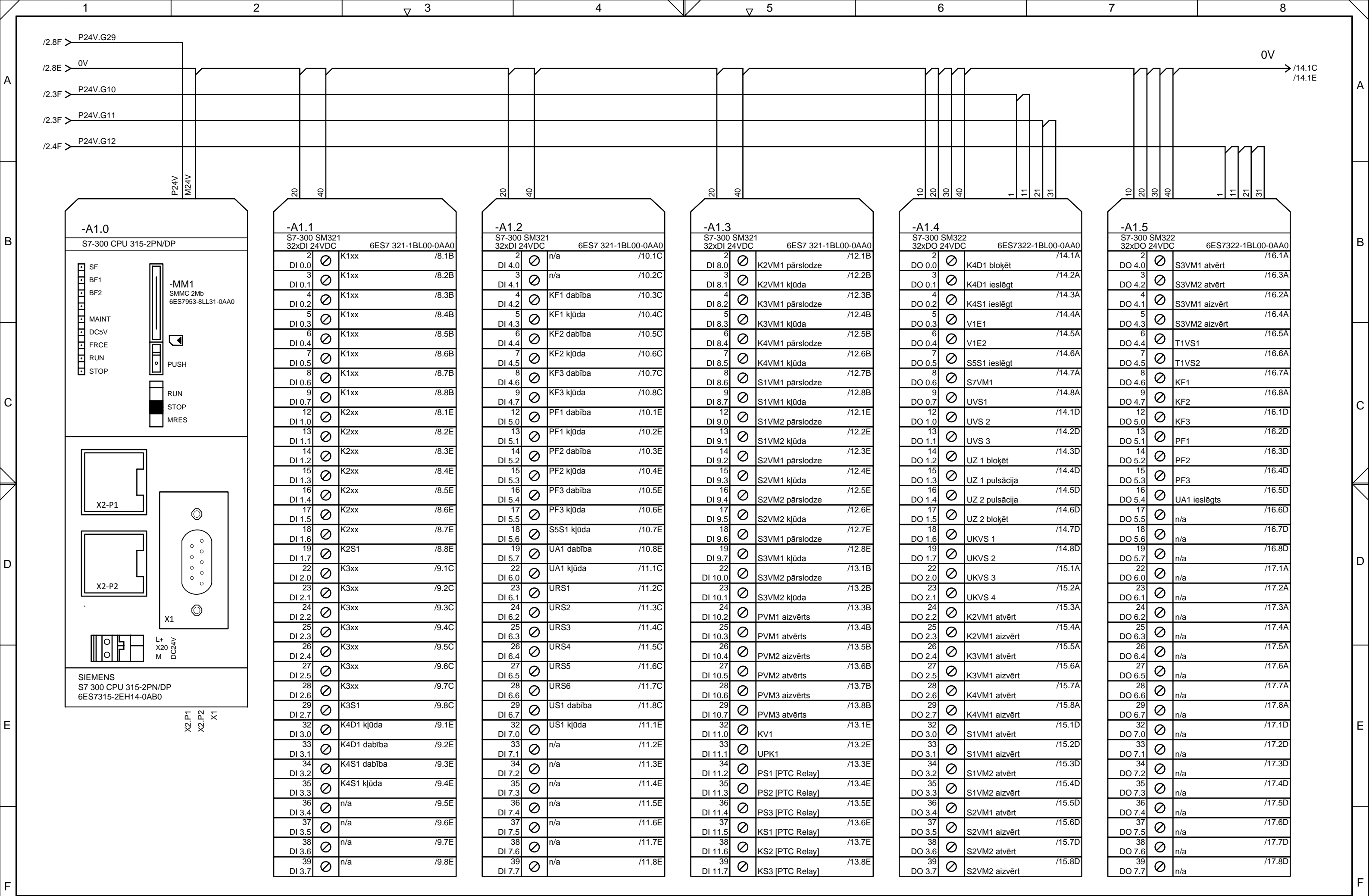


Date		2016.07.13.		Siltums 2017					
Drawn		S.Demants							
Checked		V.Chuvizovs							
Rev.	Change	Date	Name	Approved	V.Chuvizovs	Orig.	Replaces	Replaced by	Sheet 5 of



Date	2016.07.13.	Siltums 2017	
Drawn	S.Demants		
Checked	V.Chuvizovs		
Rev.	Change	Date	Name
	Approved	V.Chuvizovs	Orig.
		Replaces	Replaced by





-A1.1		S7-300 SM321 32xDI 24VDC		6ES7 321-1BL00-0AA0	
2	DI 0.0	K1xx	/8.1B		
3	DI 0.1	K1xx	/8.2B		
4	DI 0.2	K1xx	/8.3B		
5	DI 0.3	K1xx	/8.4B		
6	DI 0.4	K1xx	/8.5B		
7	DI 0.5	K1xx	/8.6B		
8	DI 0.6	K1xx	/8.7B		
9	DI 0.7	K1xx	/8.8B		
12	DI 1.0	K2xx	/8.1E		
13	DI 1.1	K2xx	/8.2E		
14	DI 1.2	K2xx	/8.3E		
15	DI 1.3	K2xx	/8.4E		
16	DI 1.4	K2xx	/8.5E		
17	DI 1.5	K2xx	/8.6E		
18	DI 1.6	K2xx	/8.7E		
19	DI 1.7	K2S1	/8.8E		
22	DI 2.0	K3xx	/9.1C		
23	DI 2.1	K3xx	/9.2C		
24	DI 2.2	K3xx	/9.3C		
25	DI 2.3	K3xx	/9.4C		
26	DI 2.4	K3xx	/9.5C		
27	DI 2.5	K3xx	/9.6C		
28	DI 2.6	K3xx	/9.7C		
29	DI 2.7	K3S1	/9.8C		
32	DI 3.0	K4D1 kļūda	/9.1E		
33	DI 3.1	K4D1 dabība	/9.2E		
34	DI 3.2	K4S1 dabība	/9.3E		
35	DI 3.3	K4S1 kļūda	/9.4E		
36	DI 3.4	n/a	/9.5E		
37	DI 3.5	n/a	/9.6E		
38	DI 3.6	n/a	/9.7E		
39	DI 3.7	n/a	/9.8E		

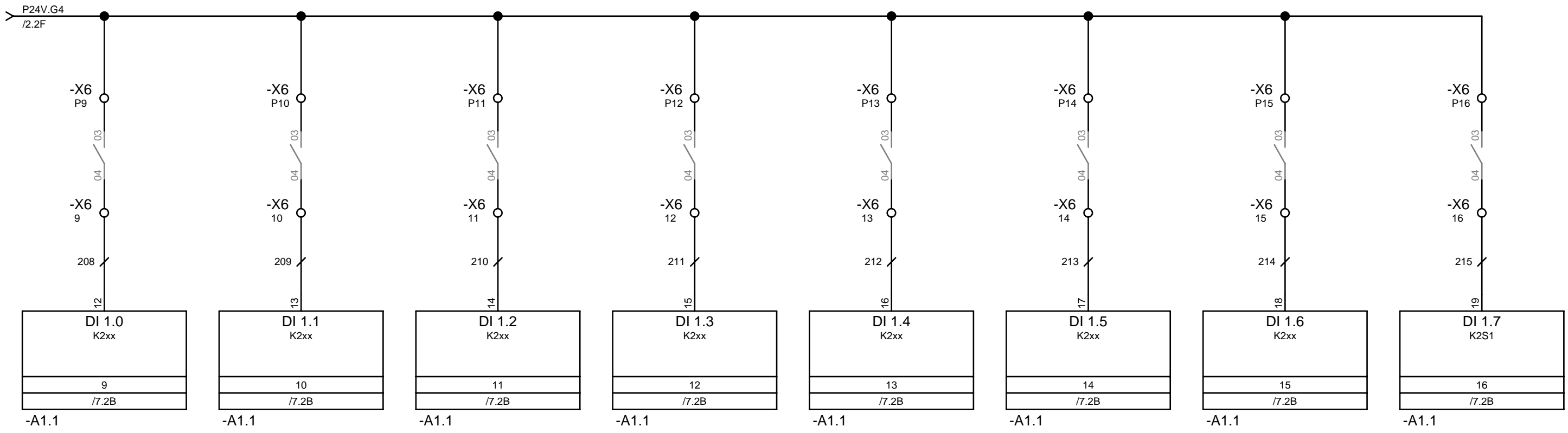
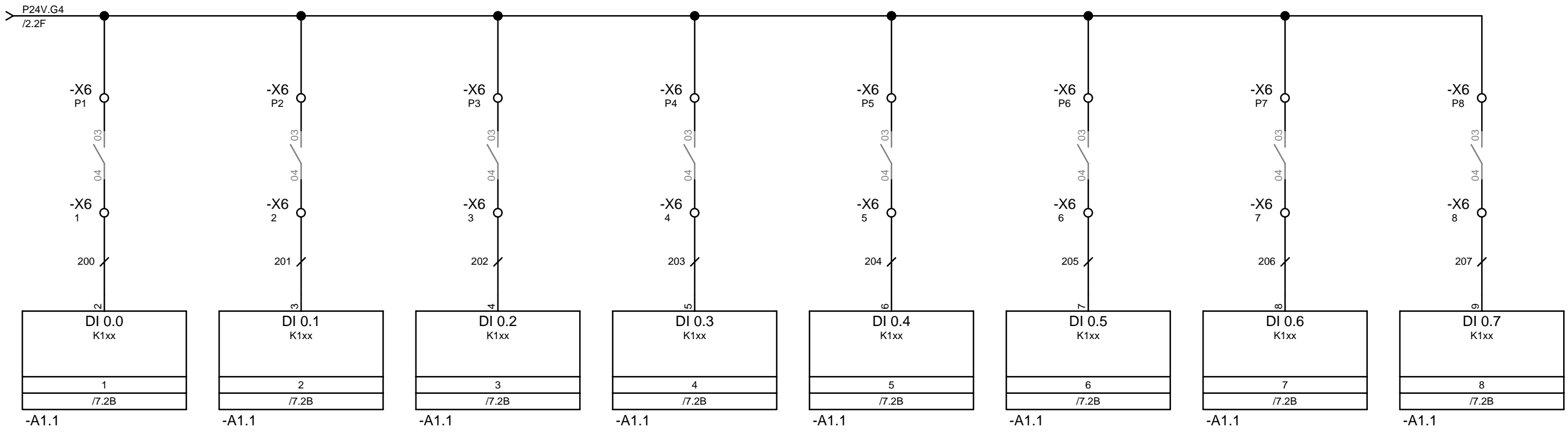
-A1.2		S7-300 SM321 32xDI 24VDC		6ES7 321-1BL00-0AA0	
2	DI 4.0	n/a	/10.1C		
3	DI 4.1	n/a	/10.2C		
4	DI 4.2	KF1 dabība	/10.3C		
5	DI 4.3	KF1 kļūda	/10.4C		
6	DI 4.4	KF2 dabība	/10.5C		
7	DI 4.5	KF2 kļūda	/10.6C		
8	DI 4.6	KF3 dabība	/10.7C		
9	DI 4.7	KF3 kļūda	/10.8C		
12	DI 5.0	PF1 dabība	/10.1E		
13	DI 5.1	PF1 kļūda	/10.2E		
14	DI 5.2	PF2 dabība	/10.3E		
15	DI 5.3	PF2 kļūda	/10.4E		
16	DI 5.4	PF3 dabība	/10.5E		
17	DI 5.5	PF3 kļūda	/10.6E		
18	DI 5.6	S5S1 kļūda	/10.7E		
19	DI 5.7	UA1 dabība	/10.8E		
22	DI 6.0	UA1 kļūda	/11.1C		
23	DI 6.1	URS1	/11.2C		
24	DI 6.2	URS2	/11.3C		
25	DI 6.3	URS3	/11.4C		
26	DI 6.4	URS4	/11.5C		
27	DI 6.5	URS5	/11.6C		
28	DI 6.6	URS6	/11.7C		
29	DI 6.7	US1 dabība	/11.8C		
32	DI 7.0	US1 kļūda	/11.1E		
33	DI 7.1	n/a	/11.2E		
34	DI 7.2	n/a	/11.3E		
35	DI 7.3	n/a	/11.4E		
36	DI 7.4	n/a	/11.5E		
37	DI 7.5	n/a	/11.6E		
38	DI 7.6	n/a	/11.7E		
39	DI 7.7	n/a	/11.8E		

-A1.3		S7-300 SM321 32xDI 24VDC		6ES7 321-1BL00-0AA0	
2	DI 8.0	K2VM1 pārslodze	/12.1B		
3	DI 8.1	K2VM1 kļūda	/12.2B		
4	DI 8.2	K3VM1 pārslodze	/12.3B		
5	DI 8.3	K3VM1 kļūda	/12.4B		
6	DI 8.4	K4VM1 pārslodze	/12.5B		
7	DI 8.5	K4VM1 kļūda	/12.6B		
8	DI 8.6	S1VM1 pārslodze	/12.7B		
9	DI 8.7	S1VM1 kļūda	/12.8B		
12	DI 9.0	S1VM2 pārslodze	/12.1E		
13	DI 9.1	S1VM2 kļūda	/12.2E		
14	DI 9.2	S2VM1 pārslodze	/12.3E		
15	DI 9.3	S2VM1 kļūda	/12.4E		
16	DI 9.4	S2VM2 pārslodze	/12.5E		
17	DI 9.5	S2VM2 kļūda	/12.6E		
18	DI 9.6	S3VM1 pārslodze	/12.7E		
19	DI 9.7	S3VM1 kļūda	/12.8E		
22	DI 10.0	S3VM2 pārslodze	/13.1B		
23	DI 10.1	S3VM2 kļūda	/13.2B		
24	DI 10.2	PVM1 aizvērts	/13.3B		
25	DI 10.3	PVM1 atvērts	/13.4B		
26	DI 10.4	PVM2 aizvērts	/13.5B		
27	DI 10.5	PVM2 atvērts	/13.6B		
28	DI 10.6	PVM3 aizvērts	/13.7B		
29	DI 10.7	PVM3 atvērts	/13.8B		
32	DI 11.0	KV1	/13.1E		
33	DI 11.1	UPK1	/13.2E		
34	DI 11.2	PS1 [PTC Relay]	/13.3E		
35	DI 11.3	PS2 [PTC Relay]	/13.4E		
36	DI 11.4	PS3 [PTC Relay]	/13.5E		
37	DI 11.5	KS1 [PTC Relay]	/13.6E		
38	DI 11.6	KS2 [PTC Relay]	/13.7E		
39	DI 11.7	KS3 [PTC Relay]	/13.8E		

-A1.4		S7-300 SM322 32xDO 24VDC		6ES7322-1BL00-0AA0	
2	DO 0.0	K4D1 blokēt	/14.1A		
3	DO 0.1	K4D1 ieslēgt	/14.2A		
4	DO 0.2	K4S1 ieslēgt	/14.3A		
5	DO 0.3	V1E1	/14.4A		
6	DO 0.4	V1E2	/14.5A		
7	DO 0.5	S5S1 ieslēgt	/14.6A		
8	DO 0.6	S7VM1	/14.7A		
9	DO 0.7	UVS1	/14.8A		
12	DO 1.0	UVS 2	/14.1D		
13	DO 1.1	UVS 3	/14.2D		
14	DO 1.2	UZ 1 blokēt	/14.3D		
15	DO 1.3	UZ 1 pulsācija	/14.4D		
16	DO 1.4	UZ 2 pulsācija	/14.5D		
17	DO 1.5	UZ 2 blokēt	/14.6D		
18	DO 1.6	UKVS 1	/14.7D		
19	DO 1.7	UKVS 2	/14.8D		
22	DO 2.0	UKVS 3	/15.1A		
23	DO 2.1	UKVS 4	/15.2A		
24	DO 2.2	K2VM1 atvērt	/15.3A		
25	DO 2.3	K2VM1 aizvērt	/15.4A		
26	DO 2.4	K3VM1 atvērt	/15.5A		
27	DO 2.5	K3VM1 aizvērt	/15.6A		
28	DO 2.6	K4VM1 atvērt	/15.7A		
29	DO 2.7	K4VM1 aizvērt	/15.8A		
32	DO 3.0	S1VM1 atvērt	/15.1D		
33	DO 3.1	S1VM1 aizvērt	/15.2D		
34	DO 3.2	S1VM2 atvērt	/15.3D		
35	DO 3.3	S1VM2 aizvērt	/15.4D		
36	DO 3.4	S2VM1 atvērt	/15.5D		
37	DO 3.5	S2VM1 aizvērt	/15.6D		
38	DO 3.6	S2VM2 atvērt	/15.7D		
39	DO 3.7	S2VM2 aizvērt	/15.8D		

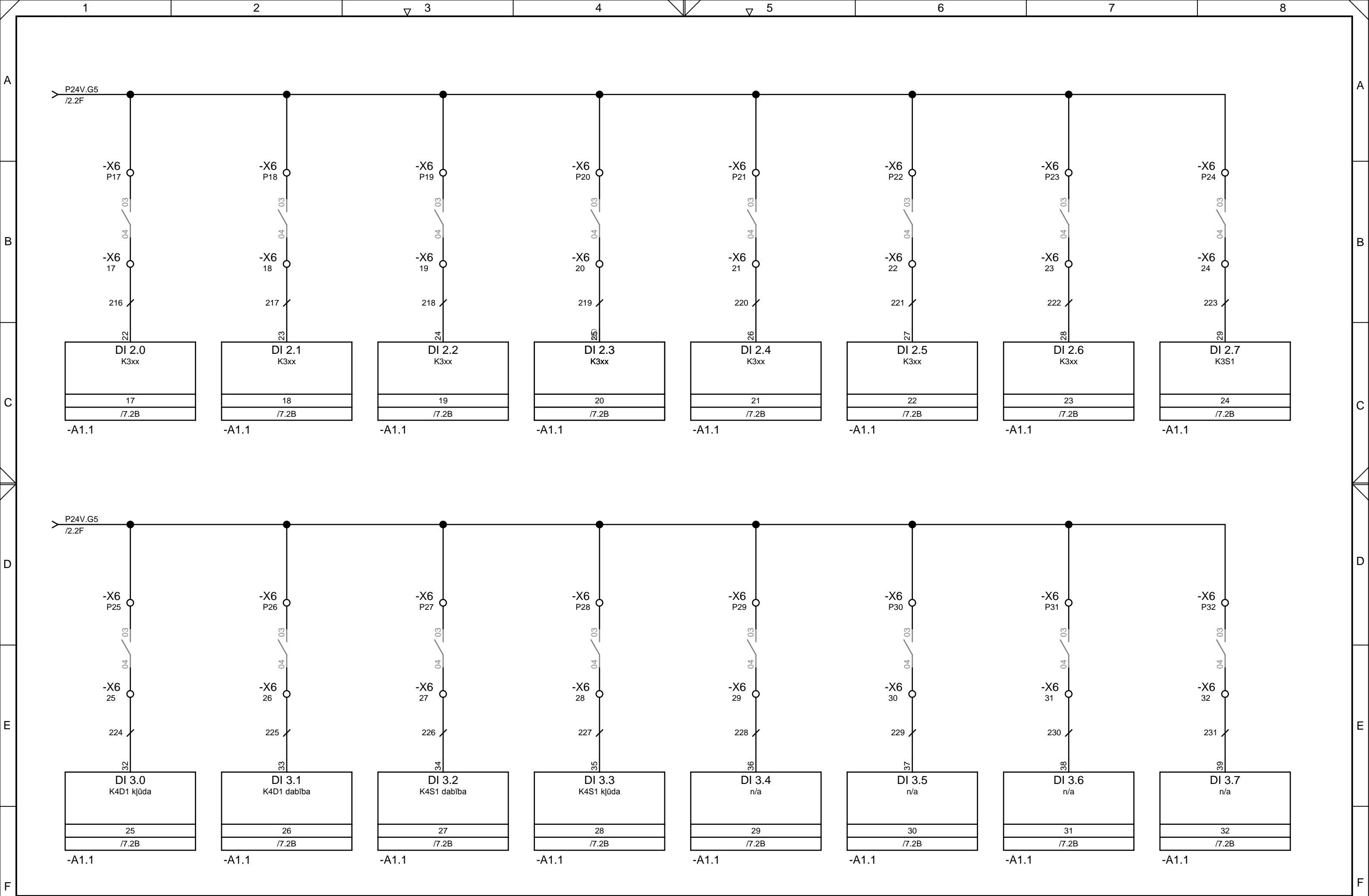
-A1.5		S7-300 SM322 32xDO 24VDC		6ES7322-1BL00-0AA0	
2	DO 4.0	S3VM1 atvērt	/16.1A		
3	DO 4.1	S3VM2 atvērt	/16.3A		
4	DO 4.2	S3VM2 atvērt	/16.2A		
5	DO 4.3	S3VM1 aizvērt	/16.2A		
6	DO 4.4	S3VM2 aizvērt	/16.4A		
7	DO 4.5	T1VS1	/16.5A		
8	DO 4.6	T1VS2	/16.6A		
9	DO 4.7	KF1	/16.7A		
12	DO 5.0	KF2	/16.8A		
13	DO 5.1	KF3	/16.1D		
14	DO 5.2	PF1	/16.2D		
15	DO 5.3	PF2	/16.3D		
16	DO 5.4	PF3	/16.4D		
17	DO 5.5	UA1 ieslēgts	/16.5D		
18	DO 5.6	n/a	/16.6D		
19	DO 5.7	n/a	/16.7D		
22	DO 6.0	n/a	/16.8D		
23	DO 6.1	n/a	/17.1A		
24	DO 6.2	n/a	/17.2A		
25	DO 6.3	n/a	/17.3A		
26	DO 6.4	n/a	/17.4A		
27	DO 6.5	n/a	/17.5A		
28	DO 6.6	n/a	/17.6A		
29	DO 6.7	n/a	/17.7A		
32	DO 7.0	n/a	/17.8A		
33	DO 7.1	n/a	/17.1D		
34	DO 7.2	n/a	/17.2D		
35	DO 7.3	n/a	/17.3D		
36	DO 7.4	n/a	/17.4D		
37	DO 7.5	n/a	/17.5D		
38	DO 7.6	n/a	/17.6D		
39	DO 7.7	n/a	/17.7D		

Rev.	Change	Date	Name	Approved	Orig.	Replaces	Replaced by	Sheet 7 of
1					Situms 2017			

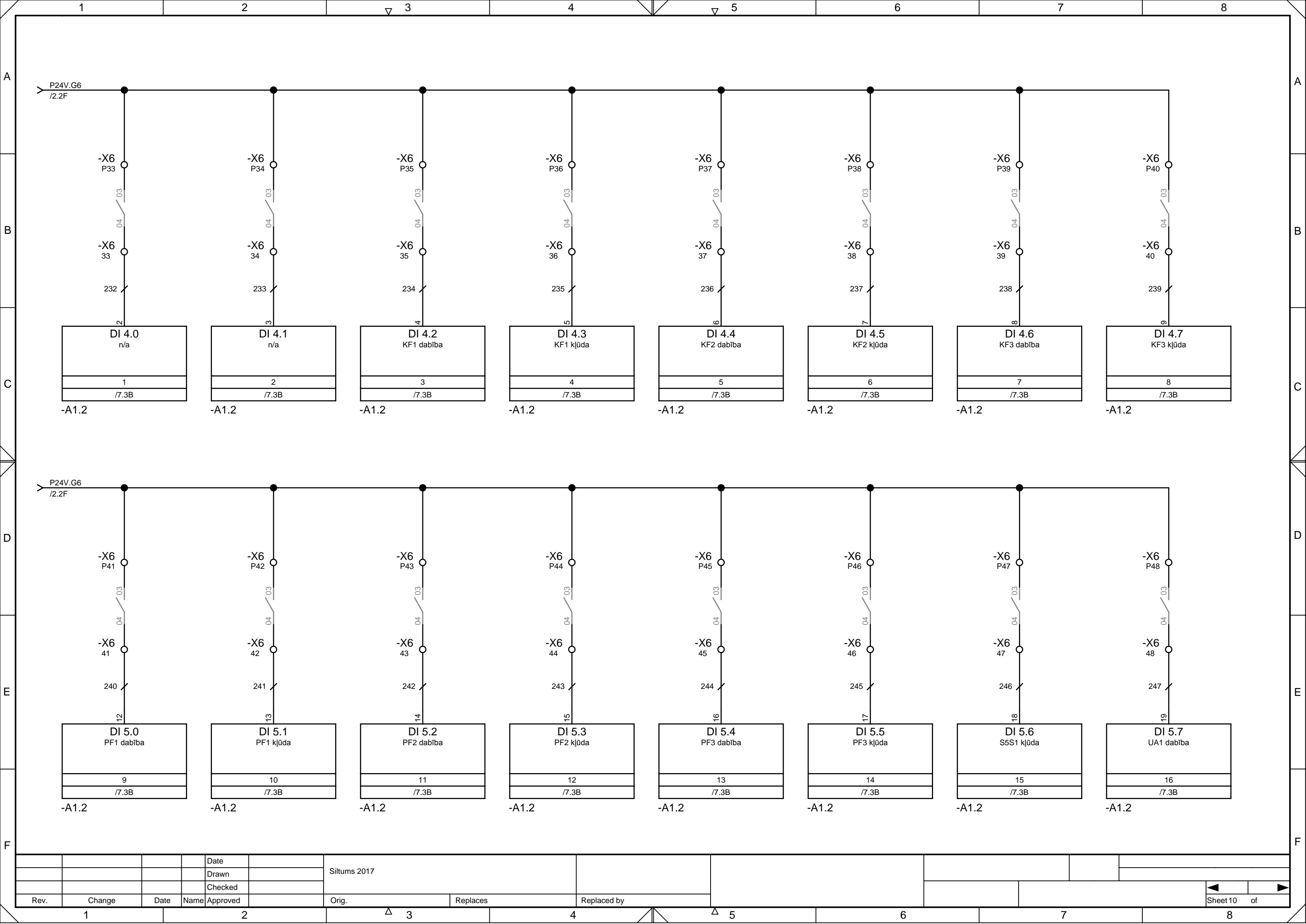


			Date				
			Drawn	Siltums 2017			
			Checked				
Rev.	Change	Date	Name	Approved	Orig.	Replaces	Replaced by
1							
2							
3							
4							
5							
6							
7							
8							

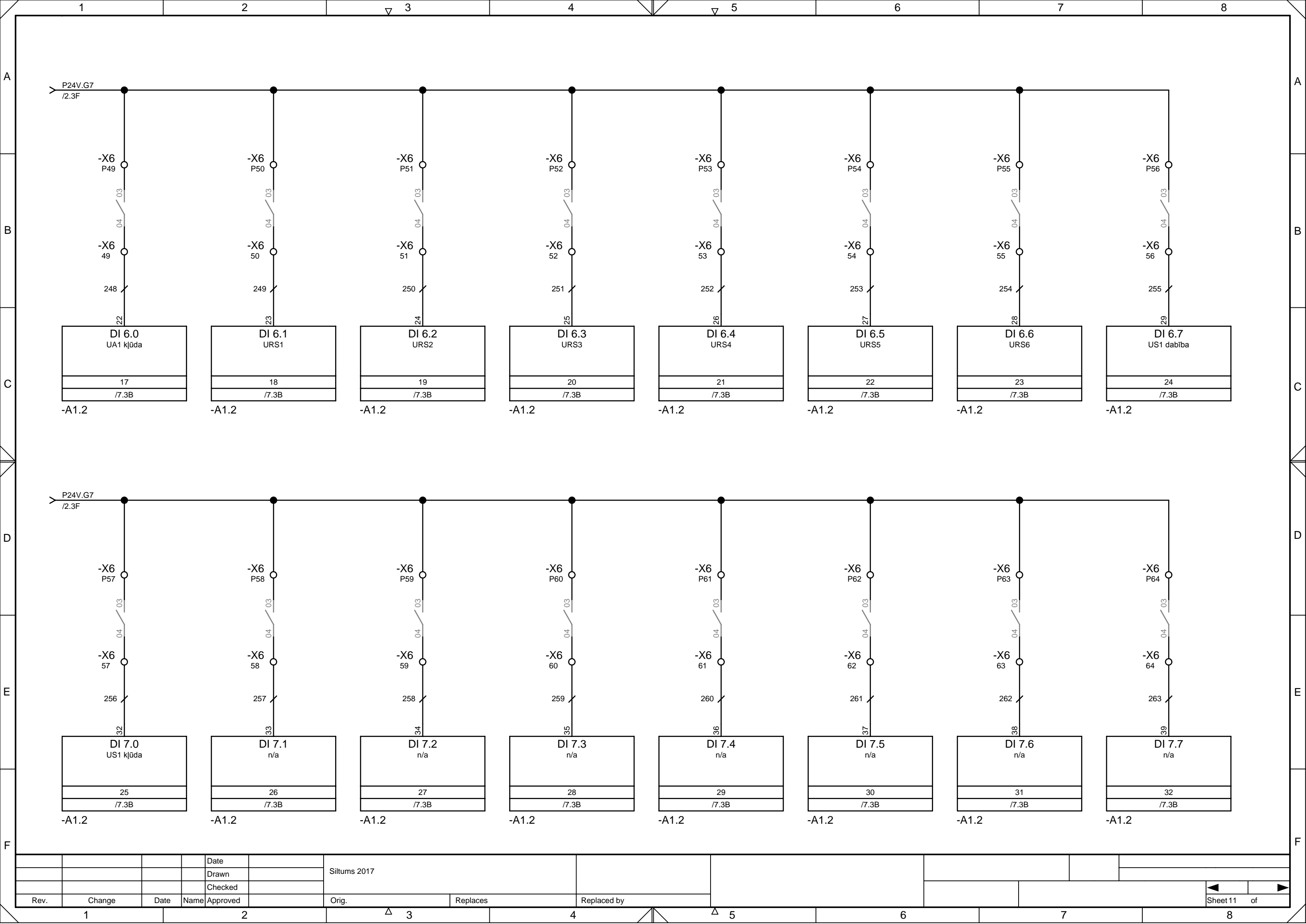




Date				Siltums 2017			
Drawn							
Checked							
Rev.	Change	Date	Name	Approved	Orig.	Replaces	Replaced by
1							



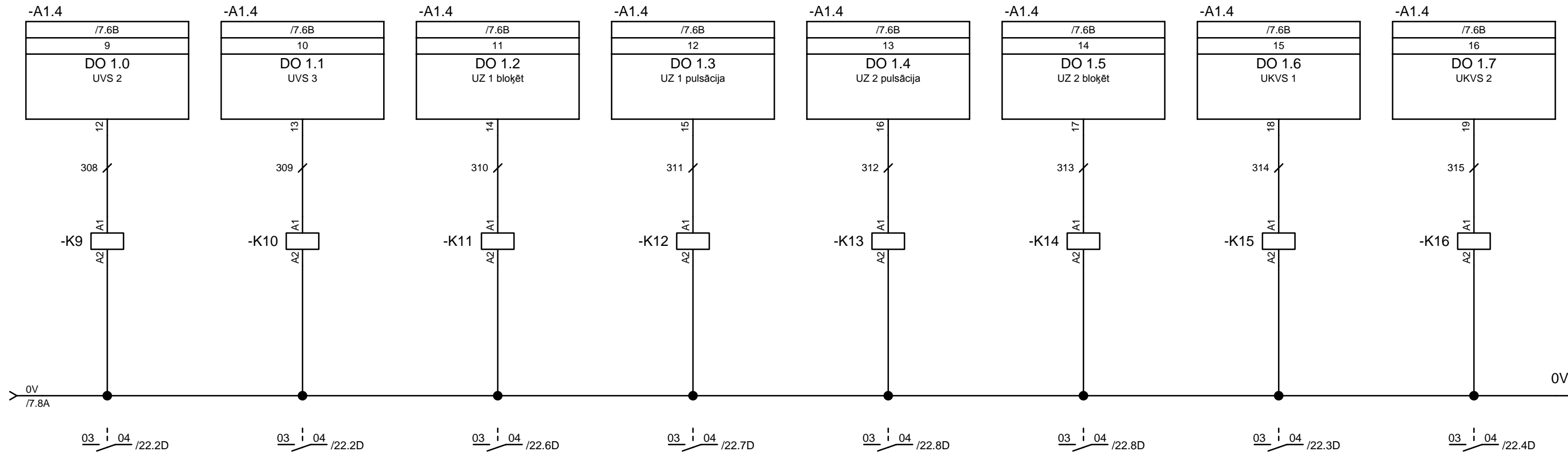
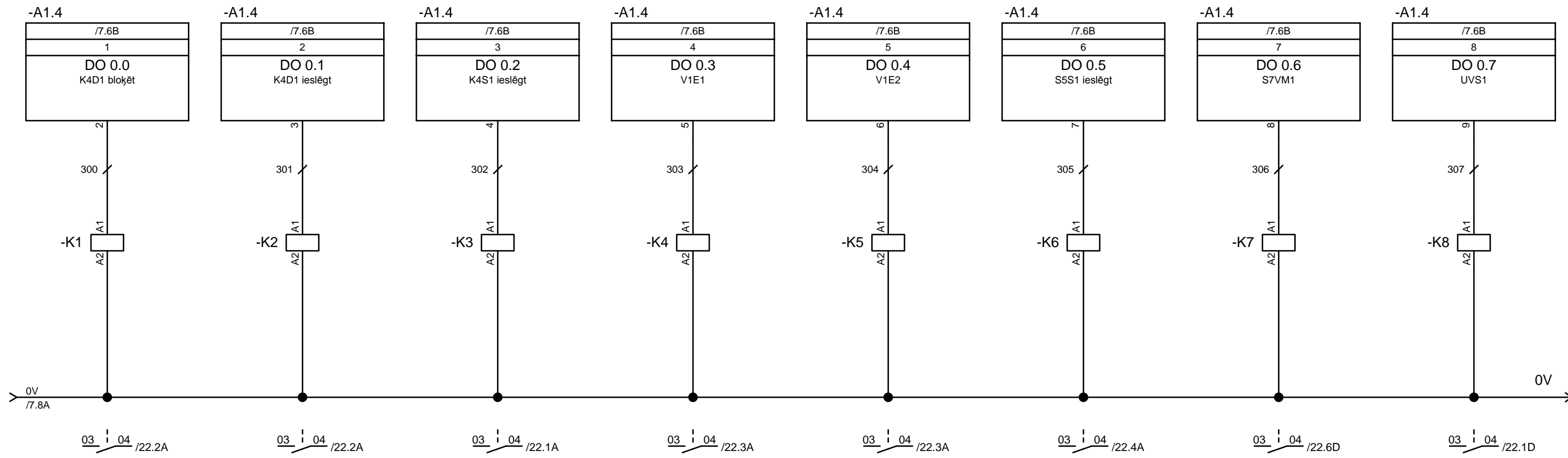
				Date																
				Drawn		Siltums 2017														
				Checked																
Rev.	Change	Date	Name	Approved		Orig.	Replaces	Replaced by												



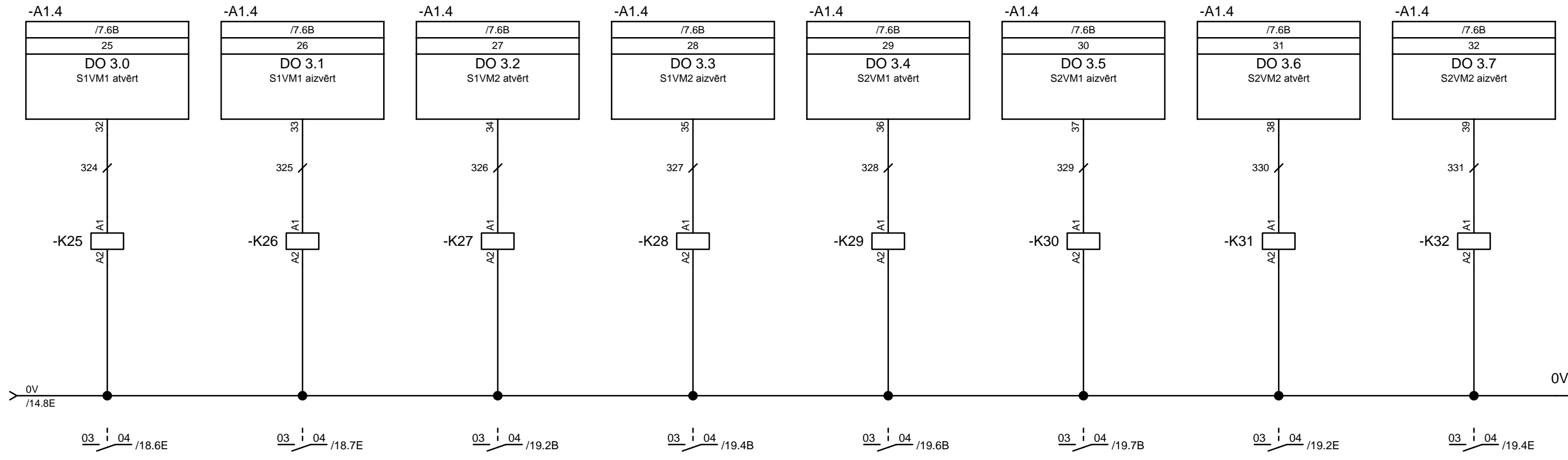
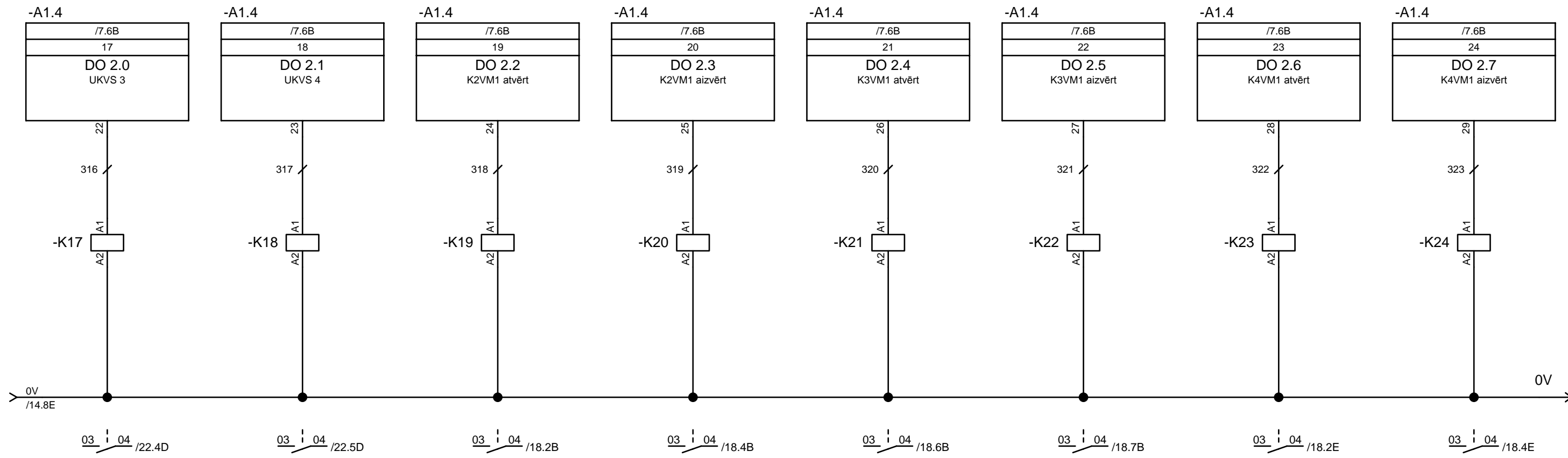
Date		Siltums 2017	
Drawn			
Checked			
Rev.	Change	Date	Name
1			
2			
3			
4			
5			
6			
7			
8			
Orig.	Replaces	Replaced by	
			Sheet 11 of



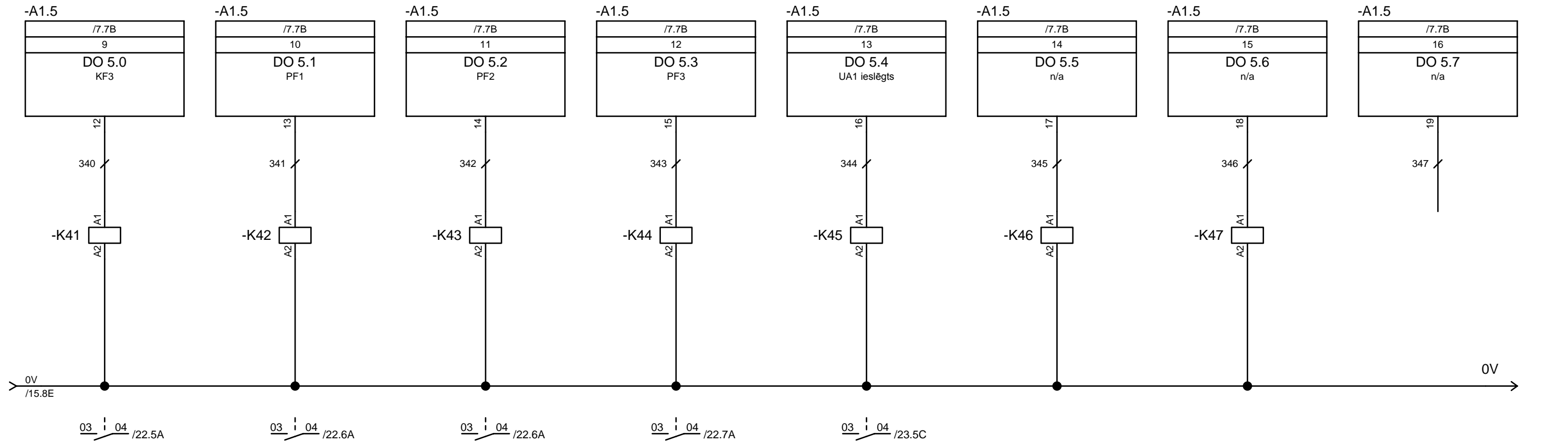
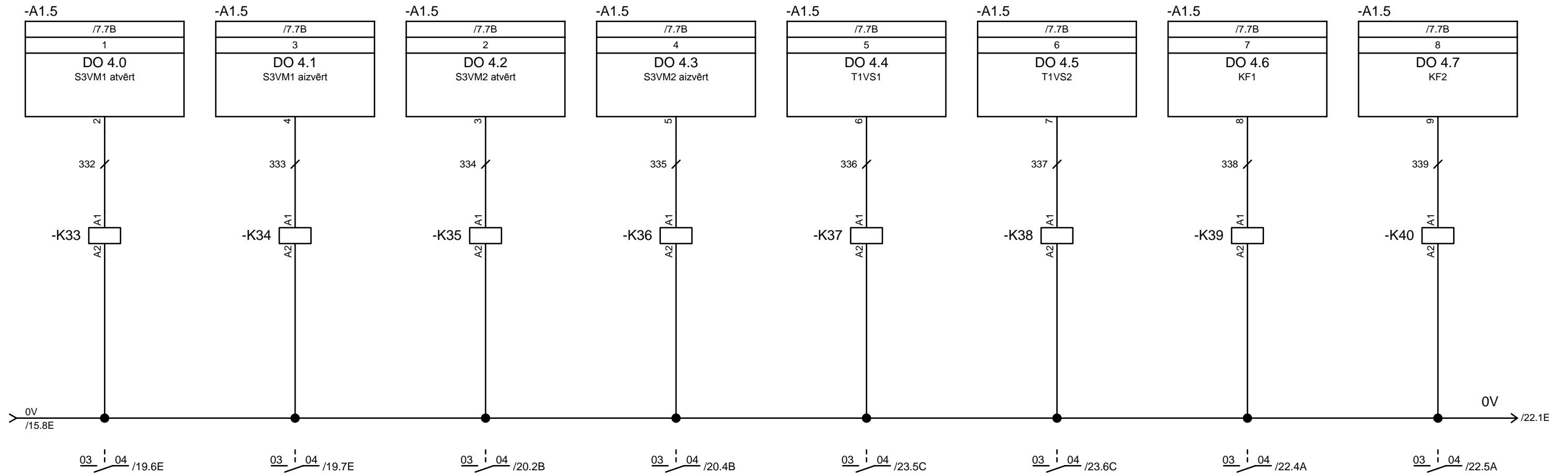




Date		Siltums 2017	
Drawn			
Checked			
Rev.	Change	Date	Name
1			
2			
3			
4			
5			
6			
7			
8			
Orig.	Replaces	Replaced by	



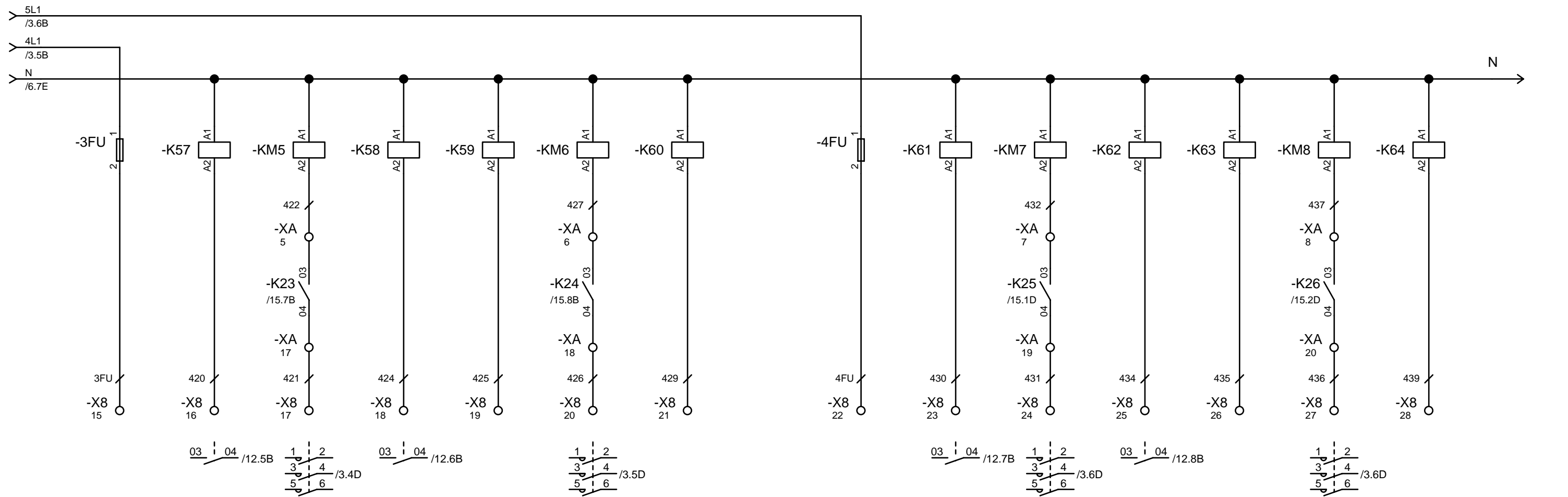
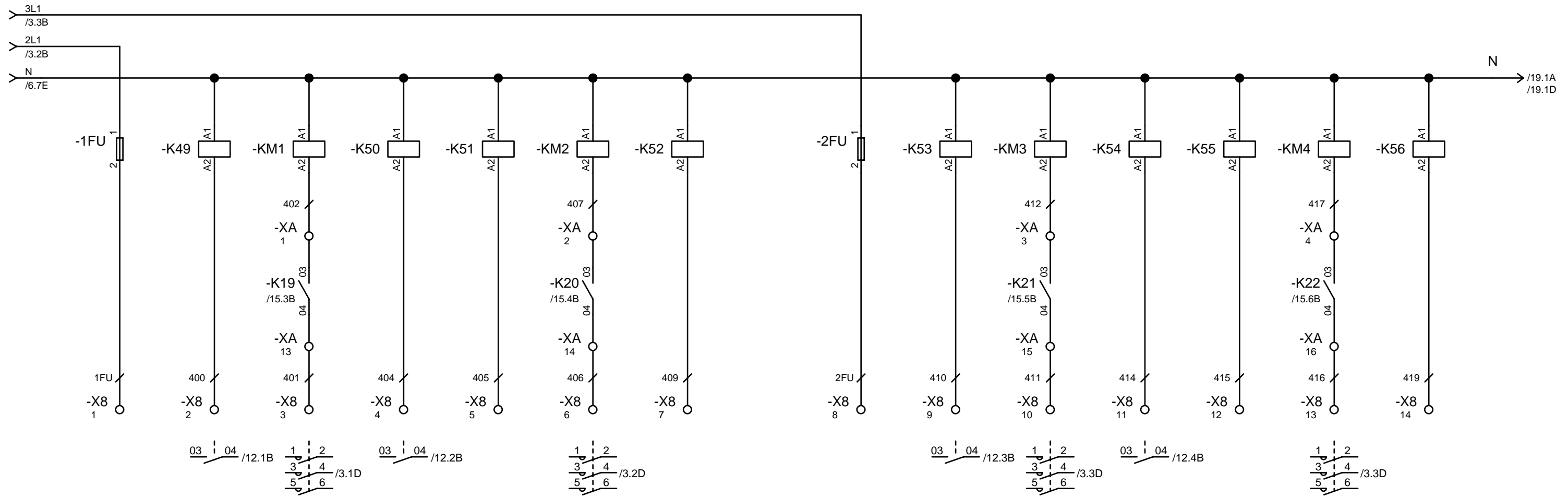
Date		Siltums 2017	
Drawn			
Checked			
Rev.	Change	Date	Name
Approved		Orig.	Replaces
		Replaced by	



Date		Siltums 2017	
Drawn			
Checked			
Rev.	Change	Date	Name
1			
2			
3			
4			
5			
6			
7			
8			

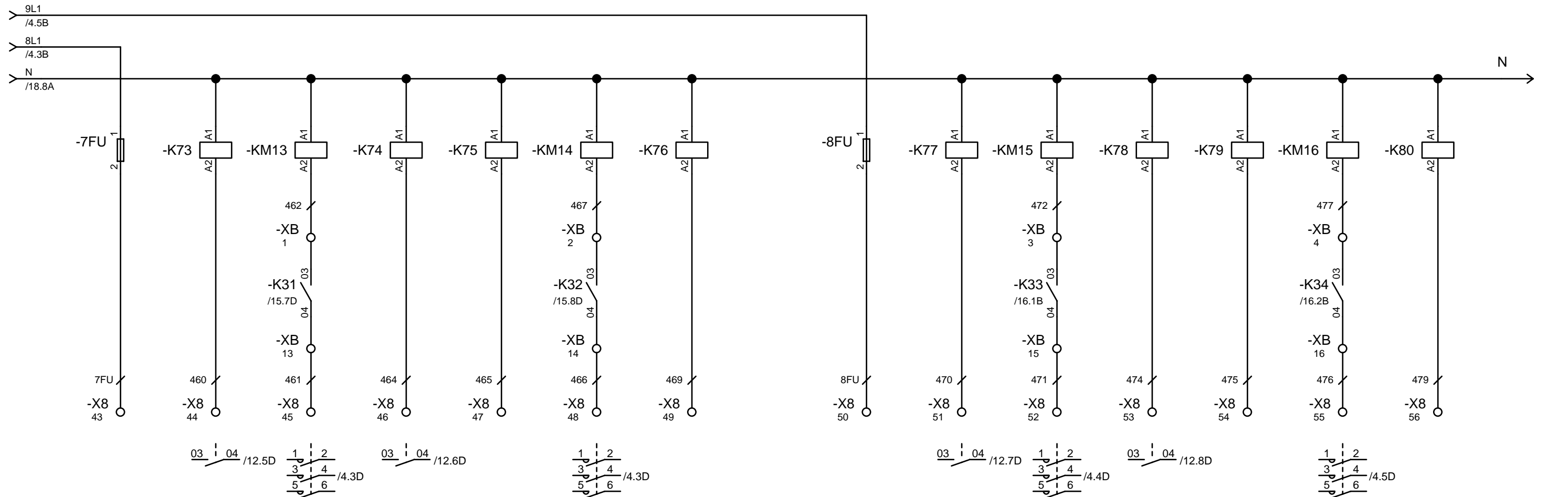
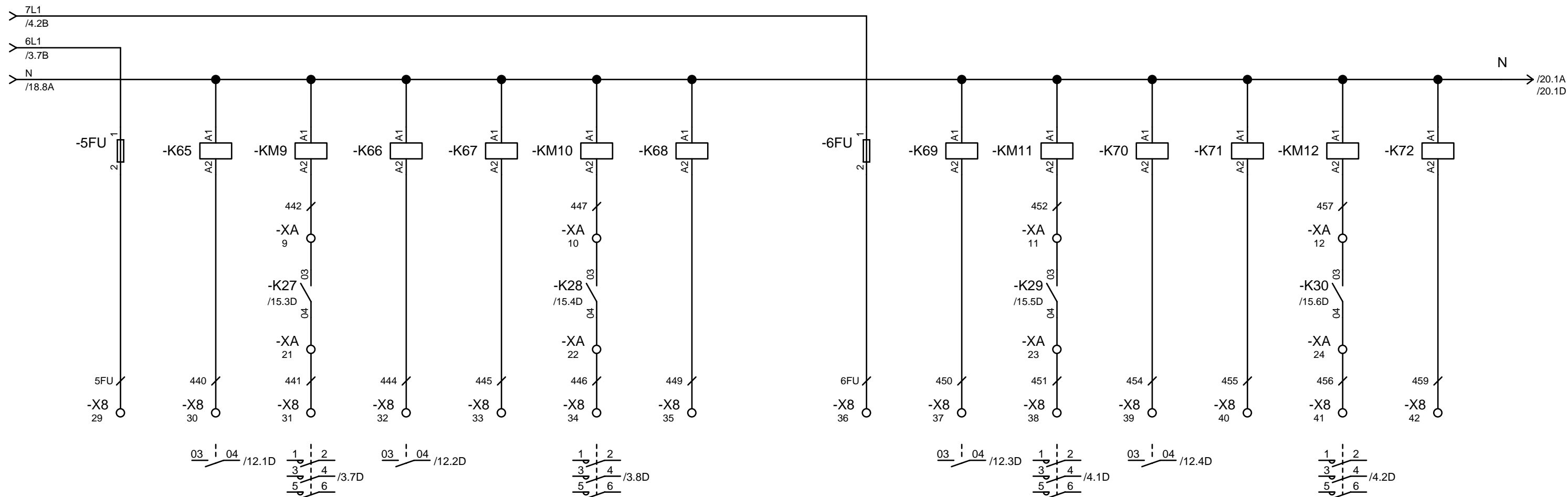




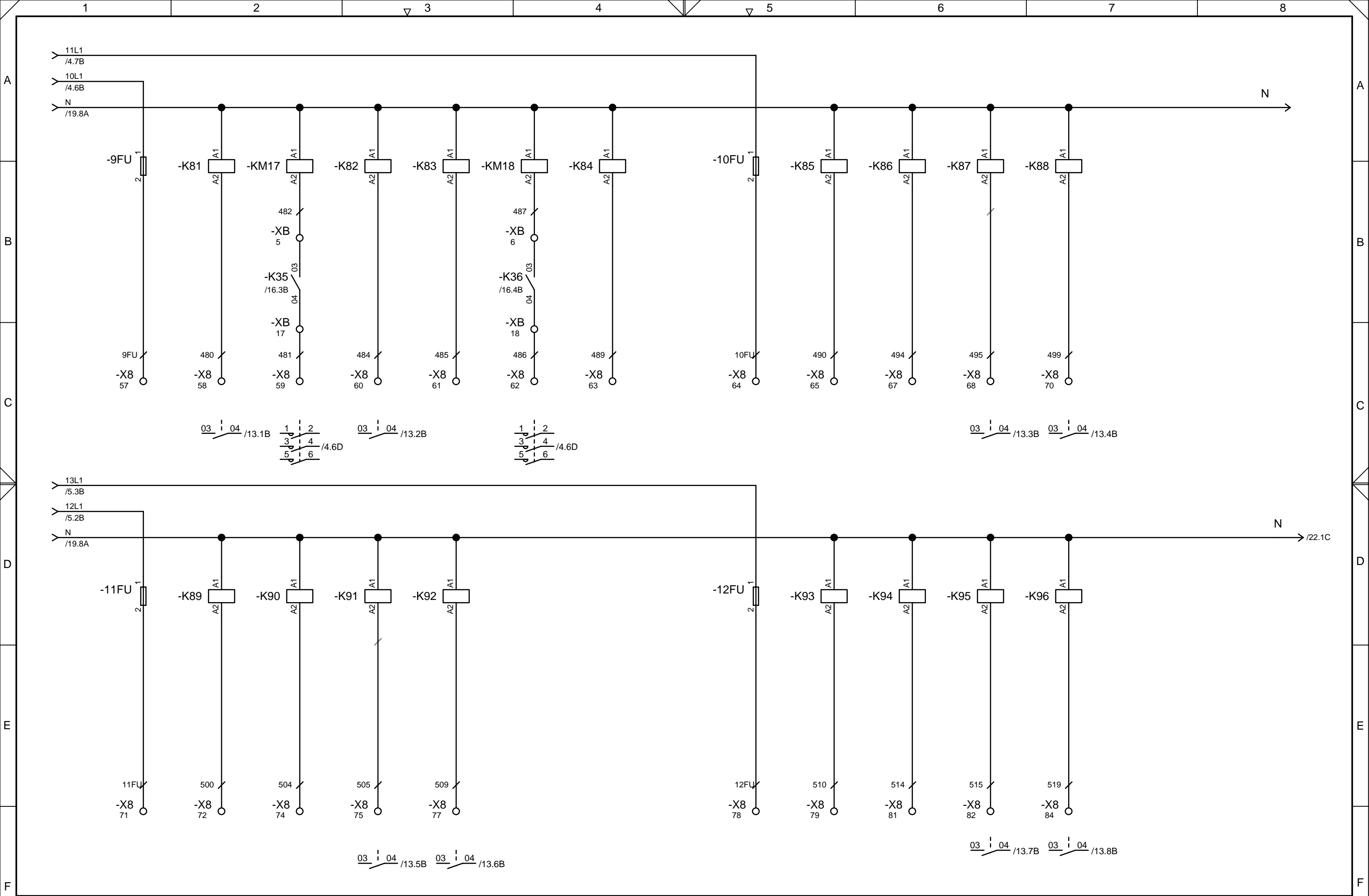


Rev.	Change	Date	Name	Approved	Orig.	Replaces	Replaced by	Sheet 18 of	

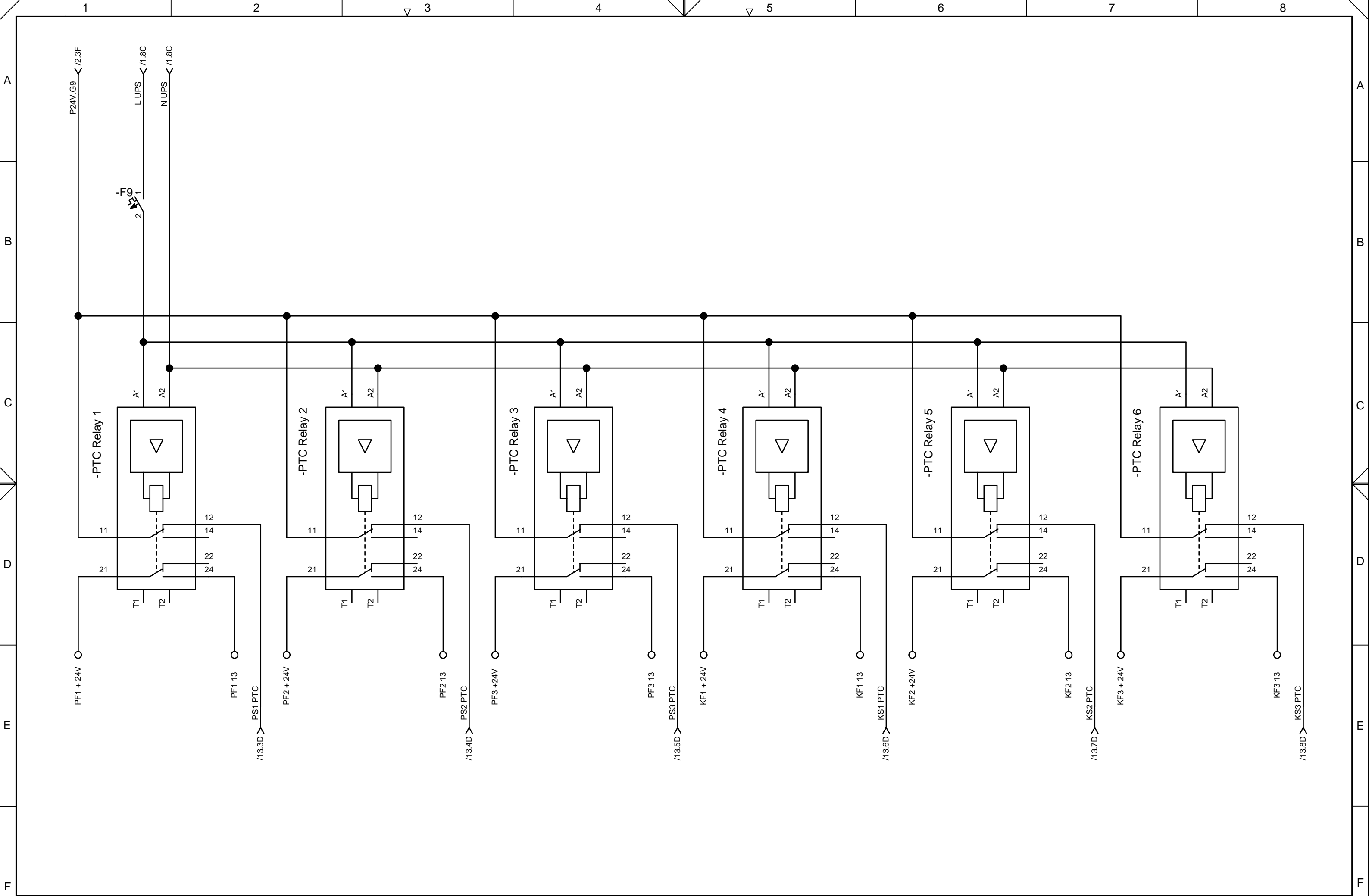
Situms 2017



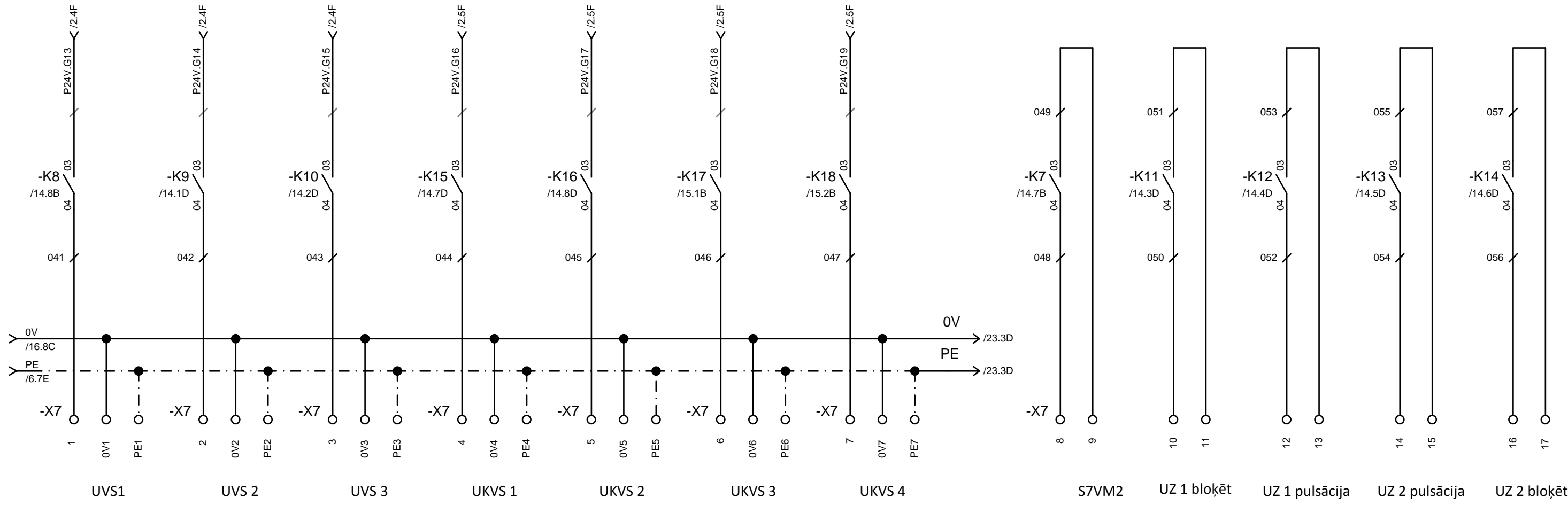
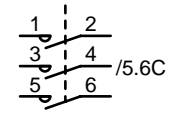
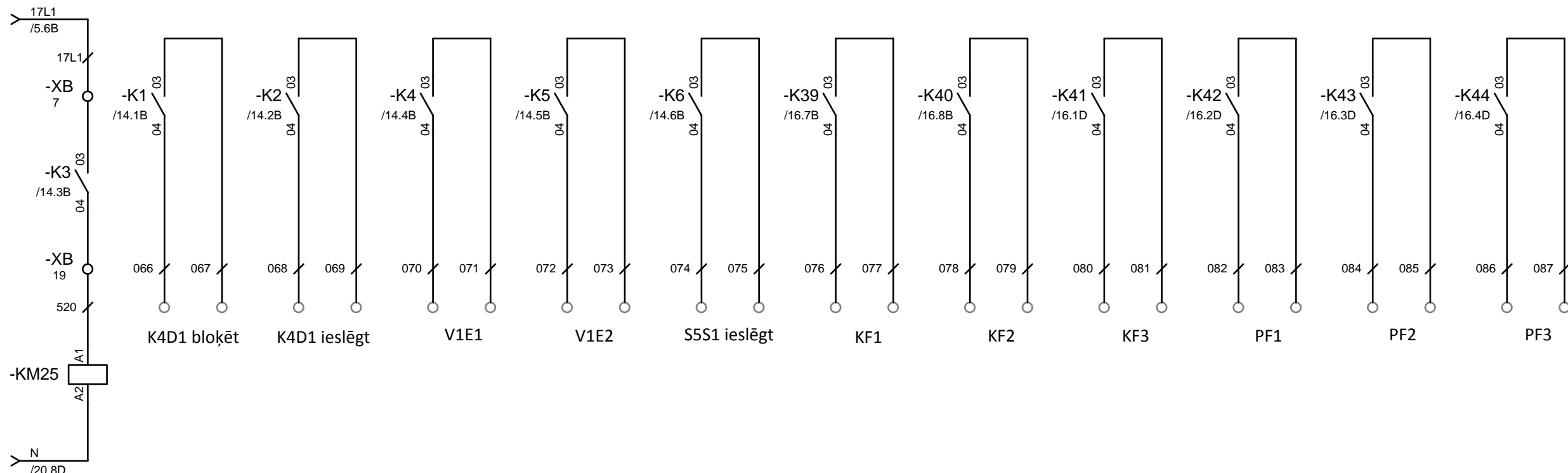
Rev.	Change	Date	Name	Approved	Orig.	Replaces	Replaced by	Sheet 19 of
					Situms 2017			



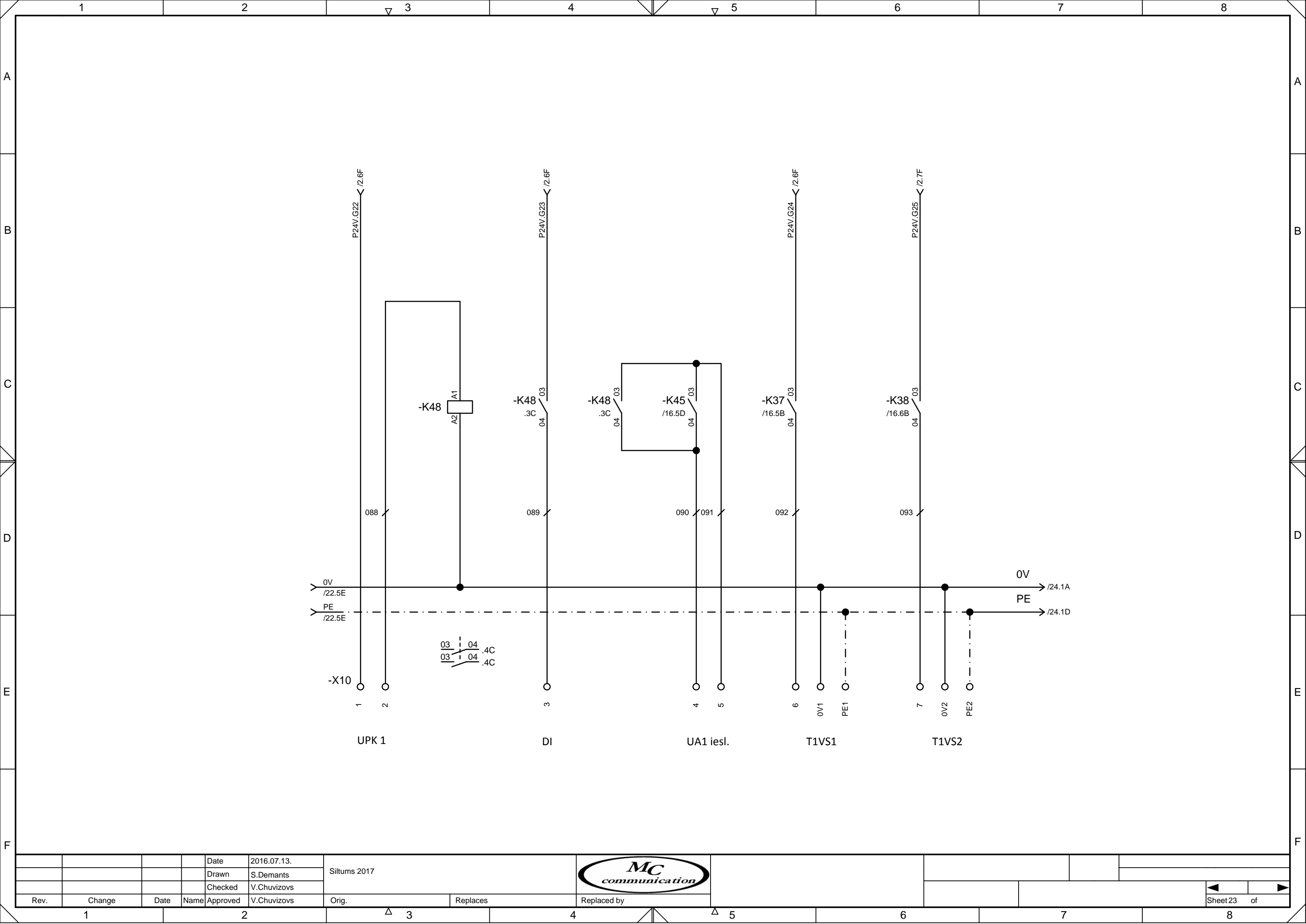
Rev.	Change	Date	Name	Approved	Orig.	Replaces	Replaced by		



Rev.	Change	Date	Name	Approved	Orig.	Replaces	Replaced by
1							
2							
3							
4							
5							
6							
7							
8							

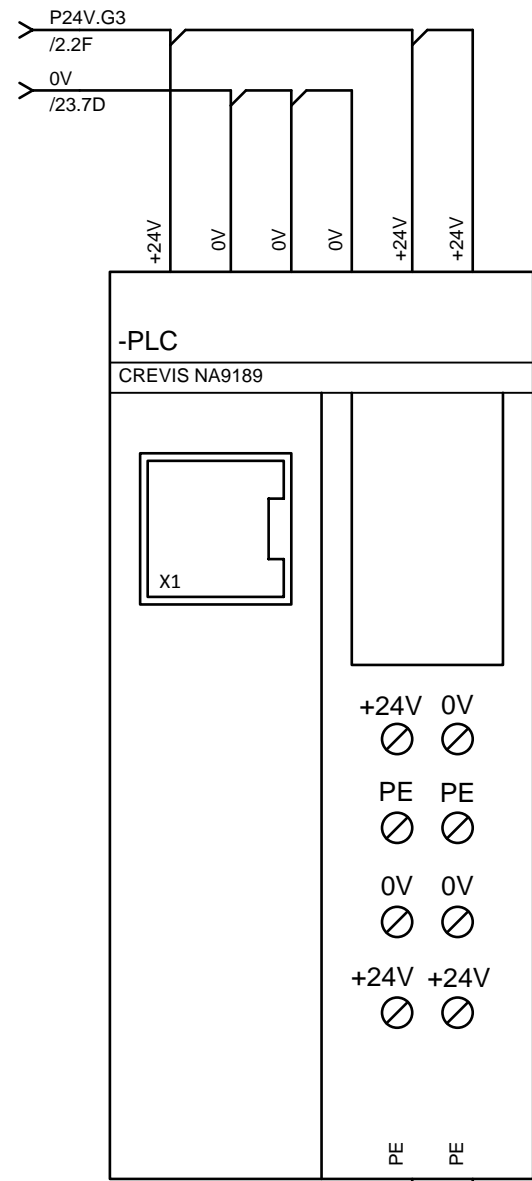


Date	2016.07.13.	Siltums 2017							
Drawn	S.Demants								
Checked	V.Chuvizovs								
Rev.	Change	Date	Name	Approved	V.Chuvizovs	Orig.	Replaces	Replaced by	Sheet 22 of



Date	2016.07.13.	Siltums 2017	
Drawn	S.Demants		
Checked	V.Chuvizovs		
Rev.	Change	Date	Name
		Approved	V.Chuvizovs
		Orig.	Replaces
			Replaced by





-AI 1			
Crevis AI ST3218			
0	AI 0.0	KPA1	/26.1A
1	AI 0.1	KPA2	/26.2A
2	AI 0.2	KPA3	/26.3A
3	AI 0.3	PPA1	/26.4A
4	AI 0.4	PPA2	/26.5A
5	AI 0.5	PPA3	/26.6A
6	AI 0.6	PPA4	/26.7A
7	AI 0.7	UPA3	/26.8A

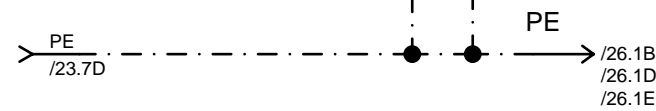
-AI 2			
Crevis AI ST3218			
0	AI 1.0	UPA2	/26.1C
1	AI 1.1	UK1	/26.2C
2	AI 1.2	S1VM1	/26.3C
3	AI 1.3	S1VM2	/26.4C
4	AI 1.4	S2VM1	/26.5C
5	AI 1.5	S2VM2	/26.6C
6	AI 1.6	S3VM1	/26.7C
7	AI 1.7	S3VM2	/26.8C

-AI 3			
Crevis AI ST3218			
0	AI 2.0	Rezerve	/26.1E
1	AI 2.1	K3VM1	/26.2E
2	AI 2.2	K4VM1	/26.3E
3	AI 2.3	Rezerve	/26.4E
4	AI 2.4	Rezerve	/26.5E
5	AI 2.5	Rezerve	/26.6E
6	AI 2.6	Rezerve	/26.7E
7	AI 2.7	Rezerve	/26.8E

-AO 1			
Crevis AI ST4214			
0	AO 0.1	K4D1	/27.1A
4	AO 0.2		
1	AO 0.2	KF1	/27.2A
5	AO 0.3		
2	AO 0.3	KF2	/27.3A
6	AO 0.3		
3	AO 0.3	KF3	/27.4A
7	AO 0.3		

-AO 2			
Crevis AI ST4214			
0	AO 0.1	PF1	/27.5A
4	AO 0.2		
1	AO 0.2	PF2	/27.6A
5	AO 0.3		
2	AO 0.3	PF3	/27.7A
6	AO 0.3		
3	AO 0.3	V1E1	/27.7A
8	AO 0.3		

-AO 3			
Crevis AI ST4214			
0	AO 0.1	S5S1	/27.1C
4	AO 0.2		
1	AO 0.2	KIV	/27.2C
5	AO 0.3		
2	AO 0.3	S4VM1	/27.3C
6	AO 0.3		
3	AO 0.3	S6VM1	/27.4C
8	AO 0.3		

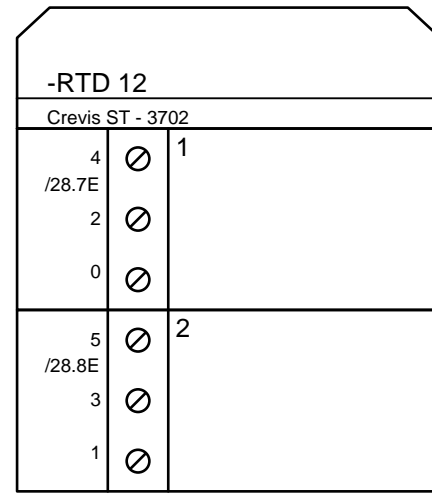
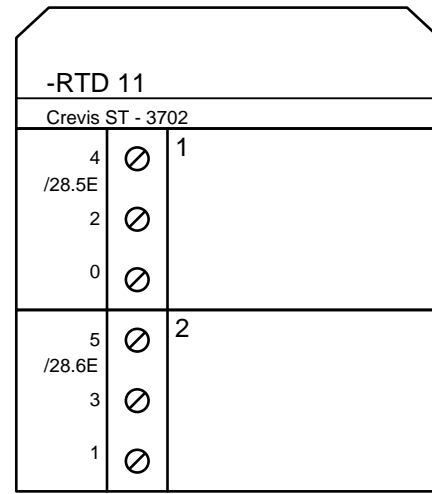
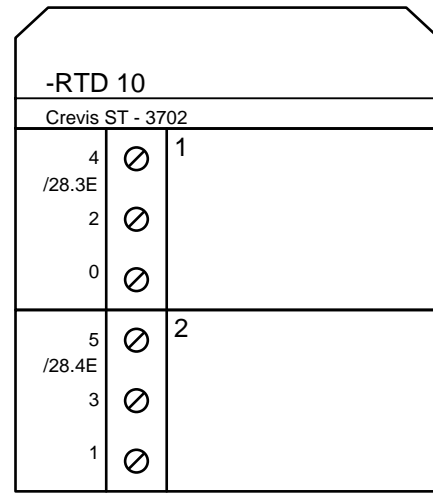
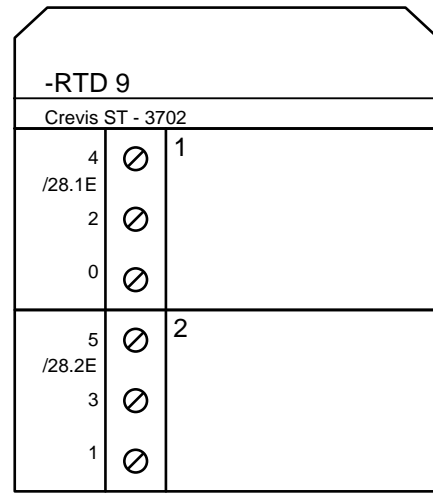
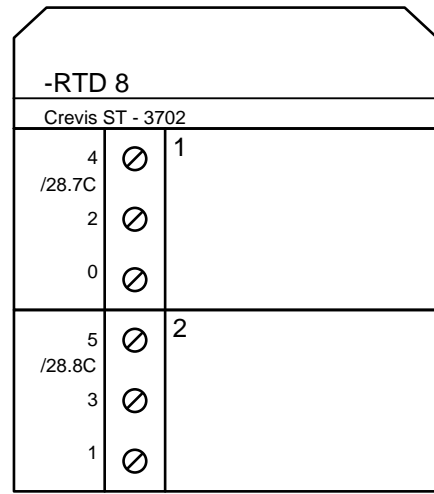
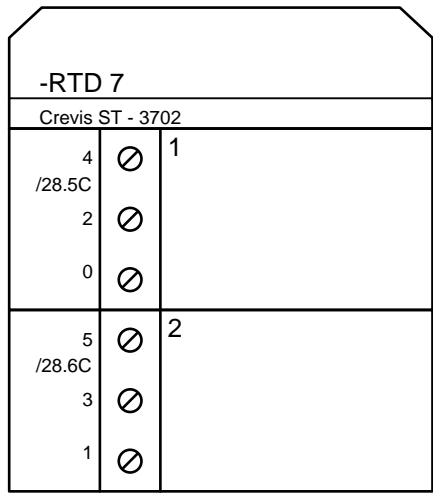
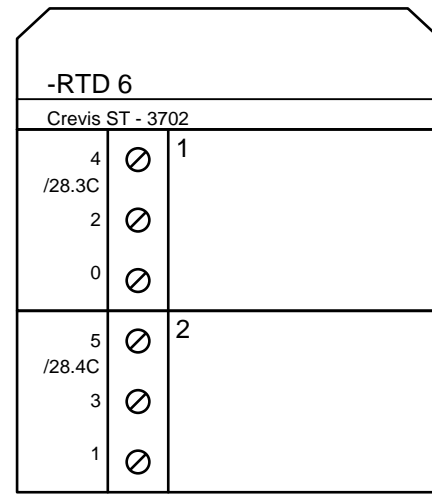
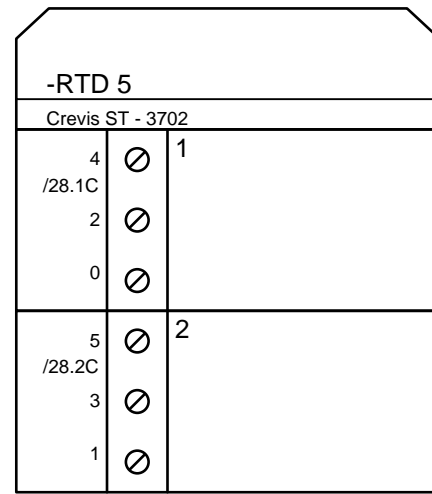
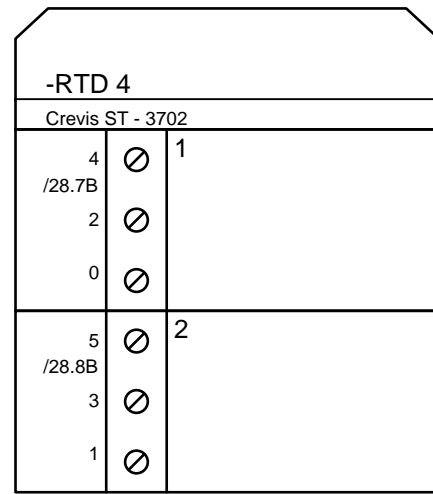
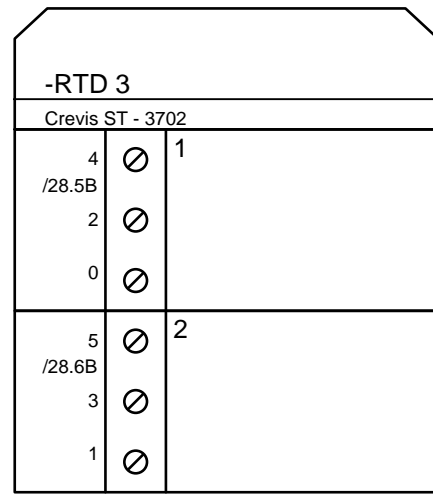
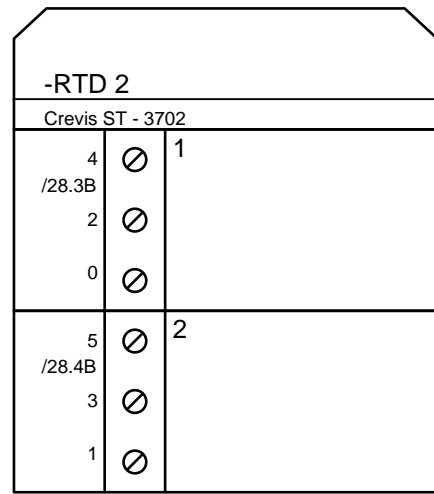
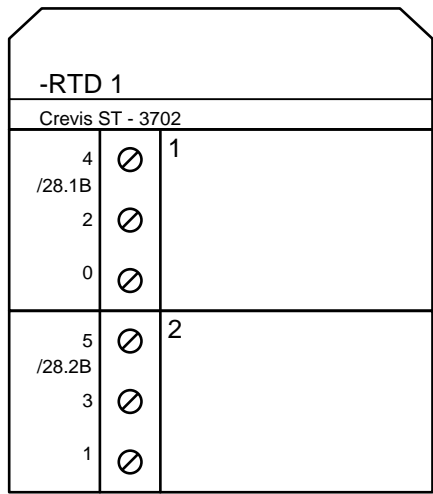


Date	2016.07.13.
Drawn	S.Demants
Checked	V.Chuvizovs
Approved	V.Chuvizovs

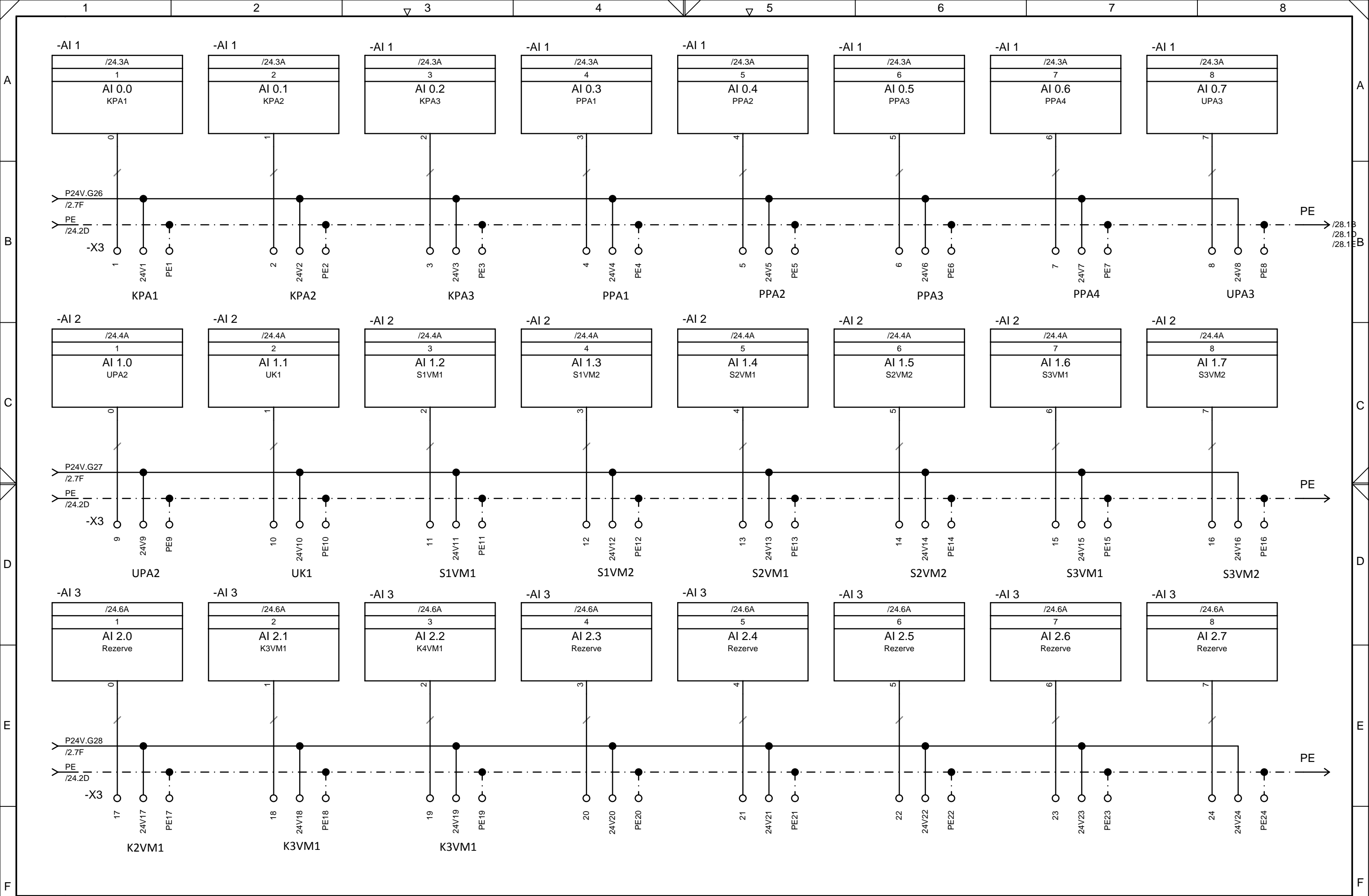
Siltums 2017		
Orig.	Replaces	Replaced by





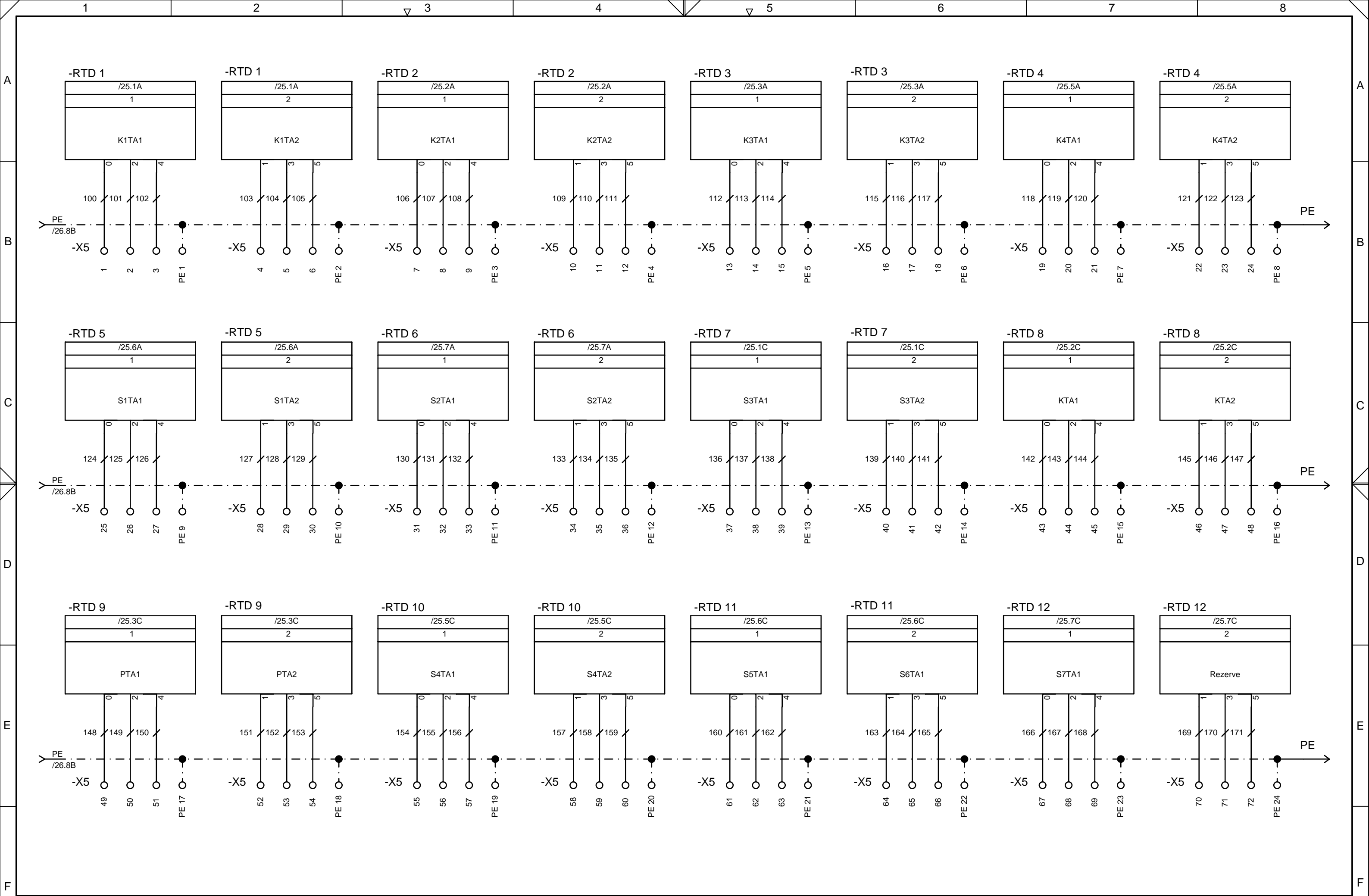


Date	2016.07.13.	Siltums 2017																	
Drawn	S.Demants																		
Checked	V.Chuvizovs																		
Rev.	Change	Date	Name	Approved	V.Chuvizovs	Orig.	Replaces	Replaced by											



Date	2016.07.13.						
Drawn	S.Demants		Siltums 2017				
Checked	V.Chuvizovs						
Approved	V.Chuvizovs						
Rev.	Change	Date	Name	Replaces	Replaced by		





Date	2016.07.13.	Siltums 2017							
Drawn	S.Demants								
Checked	V.Chuvizovs								
Rev.	Change	Date	Name	Approved	V.Chuvizovs	Orig.	Replaces	Replaced by	Sheet 28 of